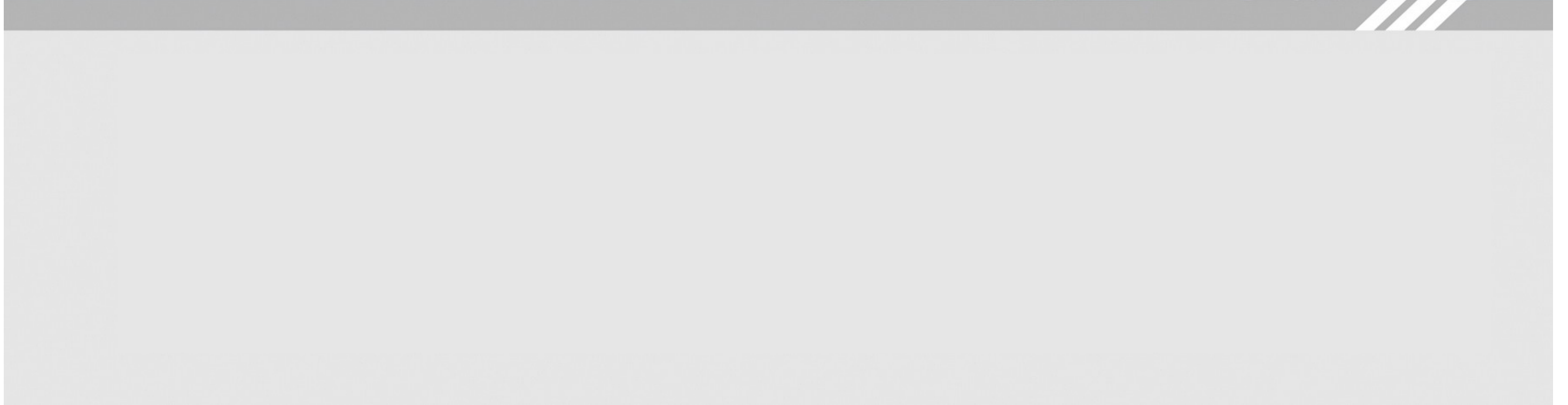


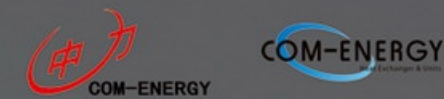
原始大厂家 品质更值得信赖

配有先进的生产加工设备，完善的工装工艺，专业生产和销售各种规格的冷风机、蒸发器、冷凝器、冷凝机组、压缩机、制冷配件，中大型并联机组等。





ENTERPRISE CERTIFICATE 认证证书



ENTRPRISE HONOR 荣誉评优



精益求精,打造中力品牌,携手共创双赢

We will seek for greater perfection, build brands of Zhongli and create win-win situation.



The company is committed to technological innovation and advanced production equipment, and enhance market competitiveness, enhance their core competitiveness of enterprises, continue to strengthen exchanges and cooperation with foreign enterprises in technological superiority, sustained additional investment to ensure the level of the leading production equipment, to become has advanced technology and equipment industryrefrigeration equipment manufacturers.

质量是企业的生命

QUALITY IS THE ENTERPRISE' S LIFE



公司致力于技术革新和先进的生产设备, 增强产品的市场竞争力, 不断加强与国外技术优势型企业的交流和合作, 持续追加投入以保证生产设备的领先程度, 成立拥有行业尖端技术和设备的制冷设备生产厂家。

历程 COURSE

厚德载物 顺势而为 惠人达己 互利共赢

促进社会的繁荣与稳定，助力和谐社会营造员工快乐
工作氛围，分享企业成果 秉承共赢精神，与合作伙伴共享
经营成果。

创造价值

分享财富

公益和谐

永续发展



CONTENTS 目录

- 03-06 **CE 系列冷风机** CE Series Air Cooler
- 07-10 **ZL 系列冷风机** ZL Series Air Cooler
- 11-14 **D 系列冷风机** D Series Air Cooler
- 15-18 **水冲霜系列冷风机** Water Stroke Frost Removed Air Cooler-SD Series
- 19-22 **DH 系列双面侧出风冷风机** DH Series Double Side Blowing Air Cooler
- 23-24 **DE 系列冷风机** DE Series Air Cooler
- 25-26 **E 系列冷风机** E Series Evaporator
- 27-28 **BE 系列冷风机** BE Series Evaporator
- 29-36 **FN 系列冷凝器** FN Series Condenser
- 37-50 **箱式压缩机组系列** Box Type Compressor Unit Series
- 51-62 **比泽尔敞开式压缩机组系列** Bitzer Compressor Units Series
- 63-66 **泰康敞开式压缩机组系列** Tecumseh Compressor Units Series
- 67-68 **美优乐敞开式压缩机组系列** Maneurop Compressor Units Series
- 69-74 **谷轮敞开式压缩机组系列** Copeland Compressor Units Series
- 75-82 **恩布拉科敞开式压缩机组系列** Embraco Compressor Units Series
- 83-84 **直流电12/24V敞开式机组** DC12/24V Open Type Condensing Units



COM-ENERGY
Heat Exchanger & Units

冷风机系列

AIR COOLER SERIES

- ✓ 绿色环保
- ✓ 品质保障
- ✓ 极速制冷
- ✓ 大范围降温





产品特点

Products characteristics

CE系列冷风机是配套与氟利昂制冷机组的改进型冷风机。采用高效翅片，高质量Φ14铜管，根据片距不同分CEH、CEM、CEL三种。CEH适用于库温-5~5℃的保鲜库，CEM适用于-15~-20℃的冷藏库，CEL适用于<-25℃的冷冻库。

该系列产品具有如下特点：

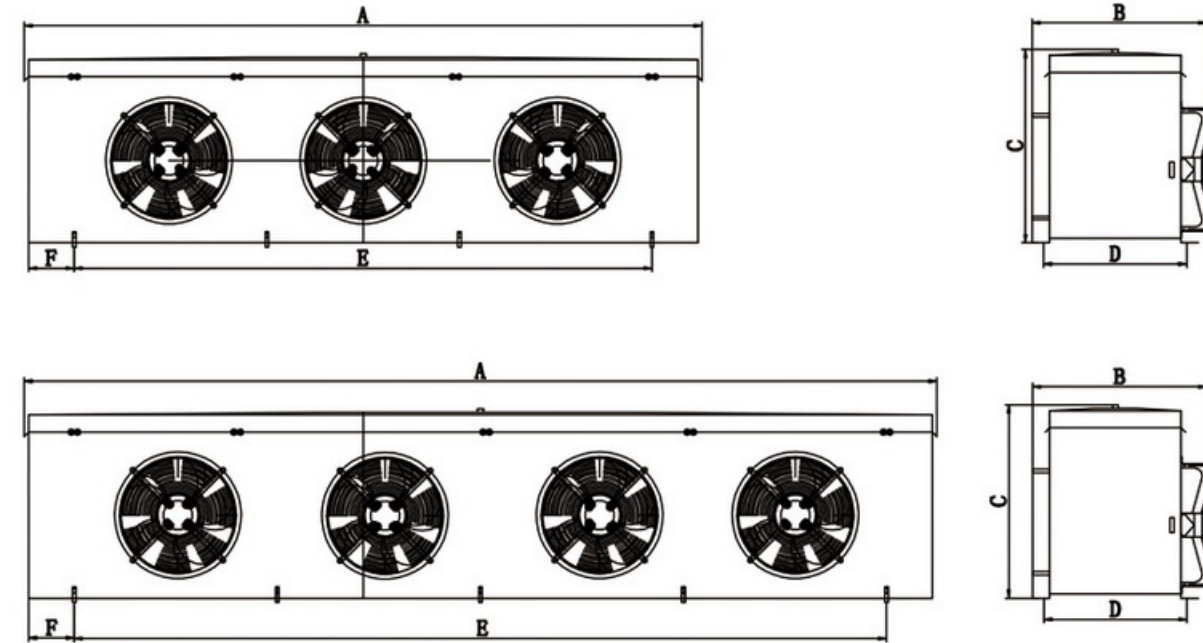
- 两侧端板与下水盘均为可开启式，方便检修维护。
- 下水管接口为黄铜接口，更耐用可靠。
- 钣金件采用优质钢板，强度高，防震性能优良，并经喷塑处理，更耐腐蚀。
- 风机采用高质量外转子风机，效率高，风量小，噪音小。
- 腔体比常规冷风机更大，吸风、混风均匀，更不易结霜。

It is new design air cooler match with Freon Refrigeration Units. Adopting high efficiency aluminum fins and copper tube with diameter φ 14mm. Dividing into 3 series CEH, CEM and CEL depend on the different fin space suit to different room temperature demand. CEH for fresh storage with temperature at -5 to +5 °C, CEM for refrigerated storage with temperature at -15 to -20 °C, CEL for freezer room with temperature at <-25 °C.

- Two sides end plate and water drain plate design into open type: For convenience maintenances.
- Drain water connector made by brass: More durable and reliable.
- Shell metal are made by high-quality steel sheet: high strength, excellent shock resistance. Also spray-treated to be more resistant to corrosion.
- Adopting high quality axial fan motor: Top efficiency, large air flow and low noise.
- Leaving further distance from coil to fans than normal air cooler: Very even air suction and mixing, and not easy frosting.

型号说明

Products characteristics



安装尺寸表

Installation Dimension Chart

型号Model	A	B	C	D	E	E1	E2	E3	F	型号Model	A	B	C	D	E	E1	E2	E3	F
CEL-1.2/8										CEL-8.9/55									
CEM-2.2/12	810	570	560	450	490	/	/	/	160	CEM-14.9/80	1860	680	660	560	1540	770	/	/	160
CEH-3.0/15										CEH-21.3/105									
CEL-1.6/10										CEL-11.6/70									
CEM-2.8/15	960	620	560	500	640	/	/	/	160	CEM-18.7/100	2340	680	660	560	2020	680	660	/	160
CEH-4.0/20										CEH-25/125									
CEL-2.6/15										CEL-14.3/85									
CEM-3.7/22	1260	620	560	500	940	470	/	/	160	CEM-22.4/120	2760	680	660	560	2440	820	800	/	160
CEH-6.0/30										CEH-32.6/160									
CEL-3.6/20										CEL-17.1/100									
CEM-5.6/30	1560	620	560	500	1240	620	/	/	160	CEM-26.2/140	3160	680	660	560	2840	720	700	700	160
CEH-8.0/40										CEH-37.6/185									
CEL-4.6/30										CEL-19.6/115									
CEM-7.5/40	1560	620	560	500	1240	620	/	/	160	CEM-30/160	3560	680	660	560	3240	820	800	800	160
CEH-11.2/55										CEH-42.7/210									
CEL-7.1/40																			
CEM-11.2/60	1860	680	660	560	1540	770	/	/	160										
CEH-16.2/80																			

注：可根据客户要求定制产品 Remark: We can customized according to customers' requirement

CEH型冷风机主要技术参数
 CEH Type Air Cooler Specification

 片距 (4.5MM)
 Fin Space (4.5MM)

型号 Model	名义换热量 Capacity		冷却面积 Area	风机 Fan Motor					发热管功率 Defrosting	进液管 Liquid	回气管 Gas	下水管口径 Drainage
	TC=0°C	TC=-18°C		数量 Quantity	直径 Diameter	电机功率 Power	电压 Voltage	风量 Air Flow				
	DT1=8K	DT1=7K										
W	W	m ²	pcs	mm	W	V	m ³ /h	kw	mm	mm		
CEH-3.0/15	3000	2100	15	1	Φ350	1x190	380	1x3100	1.5	Φ12	Φ16	ZG1"
CEH-4.0/20	4000	2850	20	1	Φ400	1x227	380	1x4000	2.1	Φ12	Φ16	ZG1"
CEH-6.0/30	6000	4200	30	2	Φ400	2x227	380	2x4000	3	Φ12	Φ16	ZG1"
CEH-8.0/40	8000	5700	40	2	Φ400	2x227	380	2x4000	4.5	Φ16	Φ25	ZG1"
CEH-11.2/55	11200	8000	55	2	Φ400	2x227	380	2x4000	4.5	Φ16	Φ25	ZG1"
CEH-16.2/80	16200	11500	80	2	Φ500	2x448	380	2x6500	4.5	Φ19	Φ32	ZG1"
CEH-21.3/105	21300	15200	105	2	Φ500	2x448	380	2x6500	4.5	Φ19	Φ38	ZG1"
CEH-25/125	25000	17800	125	3	Φ500	3x448	380	3x6500	5.7	Φ19	Φ38	ZG1"
CEH-32.6/160	32600	23200	160	3	Φ500	3x448	380	3x6500	7.2	Φ19	Φ38	ZG1"
CEH-37.6/185	37600	26800	185	4	Φ500	4x448	380	4x6500	7.8	Φ25	Φ50	ZG1"
CEH-42.7/210	42700	30500	210	4	Φ500	4x448	380	4x6500	8.4	Φ25	Φ50	ZG1"
Remark	Refrigerant 制冷剂: R404A											

CEM型冷风机主要技术参数
 CEM Type Air Cooler Specification

 片距 (6.0MM)
 Fin Space (6.0MM)

型号 Model	名义换热量 Capacity		冷却面积 Area	风机 Fan Motor					发热管功率 Defrosting	进液管 Liquid	回气管 Gas	下水管口径 Drainage
	TC=0°C	TC=-18°C		数量 Quantity	直径 Diameter	电机功率 Power	电压 Voltage	风量 Air Flow				
	DT1=8K	DT1=7K										
W	W	m ²	pcs	mm	W	V	m ³ /h	kw	mm	mm		
CEM-2.2/12	3080	2200	12	1	Φ350	1x190	380	1x3100	1.5	Φ12	Φ16	ZG1"
CEM-2.8/15	3900	2800	15	1	Φ400	1x227	380	1x4000	2.1	Φ12	Φ16	ZG1"
CEM-3.7/22	5180	3700	22	2	Φ400	2x227	380	2x4000	3	Φ12	Φ16	ZG1"
CEM-5.6/30	7800	5600	30	2	Φ400	2x227	380	2x4000	4.5	Φ16	Φ25	ZG1"
CEM-7.5/40	10500	7500	40	2	Φ400	2x227	380	2x4000	4.5	Φ16	Φ25	ZG1"
CEM-11.2/60	15680	11200	60	2	Φ500	2x448	380	2x6500	7.8	Φ19	Φ32	ZG1"
CEM-14.9/80	20860	14900	80	2	Φ500	2x448	380	2x6500	9	Φ19	Φ38	ZG1"
CEM-18.7/100	26180	18700	100	3	Φ500	3x448	380	3x6500	11.4	Φ19	Φ38	ZG1"
CEM-22.4/120	31360	22400	120	3	Φ500	3x448	380	3x6500	11.4	Φ19	Φ38	ZG1"
CEM-26.2/140	36680	26200	140	4	Φ500	4x448	380	4x6500	15.6	Φ25	Φ50	ZG1"
CEM-30.0/160	42000	30000	160	4	Φ500	4x448	380	4x6500	16.8	Φ25	Φ50	ZG1"
Remark	Refrigerant 制冷剂: R404A											

CEL型冷风机主要技术参数
 CEL Type Air Cooler Specification

 片距 (9.0MM)
 Fin Space (9.0MM)

型号 Model	名义换热量 Capacity		冷却面积 Area	风机 Fan Motor					发热管功率 Defrosting	进液管 Liquid	回气管 Gas	下水管口径 Drainage
	TC=-18°C	TC=-25°C		数量 Quantity	直径 Diameter	电机功率 Power	电压 Voltage	风量 Air Flow				
	DT1=8K	DT1=7K										
W	W	m ²	pcs	mm	W	V	m ³ /h	kw	mm	mm		
CEL-1.2/8	1200	1440	8	1	Φ350	1x190	380	1x3100	1.5	Φ12	Φ16	ZG1"
CEL-1.6/10	1600	1920	10	1	Φ400	1x227	380	1x4000	2.1	Φ12	Φ16	ZG1"
CEL-2.6/15	2600	3120	15	2	Φ400	2x227	380	2x4000	3	Φ12	Φ16	ZG1"
CEL-3.6/20	3600	4320	20	2	Φ400	2x227	380	2x4000	4.5	Φ16	Φ25	ZG1"
CEL-4.6/30	4600	5520	30	2	Φ400	2x227	380	2x4000	4.5	Φ16	Φ25	ZG1"
CEL-7.1/40	7100	8520	40	2	Φ500	2x448	380	2x6500	7.8	Φ19	Φ32	ZG1"
CEL-8.9/55	8900	10680	55	2	Φ500	2x448	380	2x6500	9	Φ19	Φ38	ZG1"
CEL-11.6/70	11600	13920	70	3	Φ500	3x448	380	3x6500	11.4	Φ19	Φ38	ZG1"
CEL-14.3/85	14300	17160	85	3	Φ500	3x448	380	3x6500	11.4	Φ19	Φ38	ZG1"
CEL-17.1/100	17100	20520	100	4	Φ500	4x448	380	4x6500	15.6	Φ25	Φ50	ZG1"
CEL-19.6/115	19600	23520	115	4	Φ500	4x448	380	4x6500	16.8	Φ25	Φ50	ZG1"
Remark	Refrigerant 制冷剂: R404A											





产品特点

Products characteristics

ZL系列冷风机是一款在D系列冷风机基础上改进的新型冷风机。3种不同翅片间距满足高温、中温、低温等不同湿度情况的使用需求，分别为ZLH、ZLM、ZLL三种，ZLH适用于库温-5~5℃的保鲜库，ZLM款适用于-15~-20℃的冷藏库，ZLL款适用于<-25℃的冷冻库。

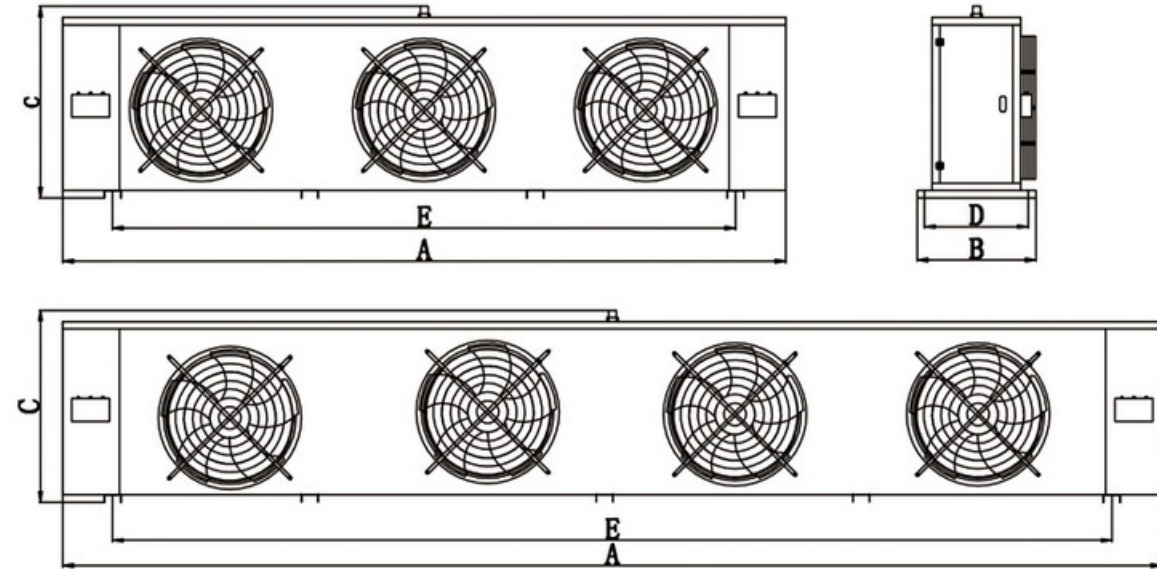
- 两侧端板与下水盘均为可开启式，方便维修检查。
- 风圈部分的内凹式设计使得产品美观大方，多折边设计，强度更高，震动更小。
- 蒸发器管路重新优化设计，换热效率更高。
- 装配高效率、低能耗的风机，适用复杂环境。

ZL series is new design air cooler improved on D series air cooler. Adopting high efficiency aluminum fins and copper tube with diameter φ 9.52mm or φ 14mm. Dividing into 3 series ZLH, ZLM and ZLL depend on the different fin space suit to different room temperature demand. ZLH for fresh storage with temperature at -5 to +5 °C, ZLM for refrigerated storage with temperature at -15 to -20 °C, ZLL for freezer room with temperature at <-25 °C.

- Two sides end plate and water drain plate design into open type for maintenance conveniences.
- Front shell with inner concave design looks very nice, Overall shell with multi-folded design make high strength and less vibration.
- Copper pipeline is optimized re-design for high heat exchange efficiency.
- Assembling axial fan motor with high efficiency, low energy consumption suit to complex environments.

型号说明

Products characteristics



安装尺寸表

Installation Dimension Table

型号 Model	外形尺寸(mm)Overall Size			安装尺寸(mm) Installation Size		型号 Model	外形尺寸(mm)Overall Size			安装尺寸(mm) Installation Size	
	A	B	C	D	E		A	B	C	D	E
ZLM-1.3/7 ZLH-2.0/10	765	430	480	355	540	ZLM-22.4/120 ZLH-30/160 ZLL-14.3/85	2790	590	660	505	2455
ZLM2.2/12 ZLM-2.8/15 ZLH-3.0/15 ZLL-1.2/8	1165	430	480	355	940	ZLM-26.2/140 ZLH-37.6/185 ZLL-17.1/100	3190	590	660	505	2855
ZLM-3.7/22 ZLH-5.0/25 ZLL-2.1/15	1610	430	480	355	1385	ZLM-30/160 ZLH-42.7/210 ZLL-19.6/115	3590	590	660	505	3255
ZLM-5.6/30 ZLH-8.0/40 ZLL-3.6/20	1590	530	560	445	1255	ZLM37.4/200 ZLH-52.9/260 ZLL-23.1/140	3190	710	760	625	2855
ZLM-7.5/40 ZLH-11.2/55 ZLL-3.6/30	1590	530	560	445	1255	ZLM-46.2/250 ZLH-66/330 ZLL-28/170	3390	710	760	625	3055
ZLM-11.2/60 ZLH-16.2/80 ZLL-7.1/40	1890	590	660	505	1555	ZLM-57.3/310 ZLH-82/410 ZLL-34.6/210	3590	710	860	625	3255
ZLM-14.9/80 ZLH-21.3/105 ZLL-8.9/55	1890	590	660	505	1555	ZLM-66.6/360 ZLH-94/470 ZLL-41.2/250	3090	810	960	755	2755
ZLM-18.7/100 ZLH-25/125 ZLL-11.6/70	2370	590	660	505	2035	ZLM-81.4/450 ZLH-116/580 ZLL-49.5/300	3390	860	960	805	3055

注：可根据客户要求定制产品 Remark:We can customized ac

ZLH型冷风机主要技术参数

ZLH Type Air Cooler Specification

 片距 (4.5MM)
 Fin Space (4.5MM)

型号 Model	名义换热量 Capacity		冷却面积 Area	风机 Fan Motor					发热管功率 Defrosting	进液管 Liquid	回气管 Gas	下水管口径 Drainage
	TC=0°C	TC=-18°C		数量 Quantity	直径 Diameter	电机功率 Power	电压 Voltage	风量 Air Flow				
	DT1=8K	DT1=7K										
W	W	m ²	pcs	mm	W	V	m ³ /h	kw	mm	mm		
ZLH-2.0/10	2000	1428	10	1	Φ350	1x190	380	1x3100	2x0.5	Φ12	Φ16	ZG1*
ZLH-3.0/15	3000	2142	15	2	Φ350	2x190	380	2x3100	2x0.9	Φ12	Φ16	ZG1*
ZLH-5.0/25	5000	3800	25	3	Φ350	3x190	380	3x3100	2x1.2	Φ12	Φ16	ZG1*
ZLH-8.0/40	8000	6150	40	2	Φ400	2x227	380	2x4000	3x1.3	Φ16	Φ25	ZG1*
ZLH-11.2/55	11200	8600	55	2	Φ400	2x227	380	2x4000	3x1.3	Φ16	Φ25	ZG1*
ZLH-16.2/80	16200	12450	80	2	Φ500	2x448	380	2x6500	3x1.3	Φ19	Φ38	ZG1*
ZLH-21.3/105	21300	16350	105	2	Φ500	2x448	380	2x6500	3x1.5	Φ19	Φ38	ZG1*
ZLH-25.0/125	25000	19200	125	3	Φ500	3x448	380	3x6500	3x1.9	Φ19	Φ38	ZG1*
ZLH-32.6/160	32600	25000	160	3	Φ500	3x448	380	3x6500	3x2.4	Φ19	Φ38	ZG1*
ZLH-37.6/185	37600	28900	185	4	Φ500	4x448	380	4x6500	3x2.6	Φ25	Φ50	ZG1*
ZLH-42.7/210	42700	32800	210	4	Φ500	4x448	380	4x6500	3x2.8	Φ25	Φ50	ZG1*
ZLH-52.9/260	52900	40690	260	4	Φ550	4x670	380	4x8500	4x2.6	Φ25	Φ50	ZG1*
ZLH-66.0/330	66000	50700	330	4	Φ550	4x670	380	4x8500	5x2.6	Φ25	Φ50	ZG1*
ZLH-82.0/410	82000	63000	410	4	Φ600	4x820	380	4x12000	5x2.8	Φ25	Φ50	ZG1.5*
ZLH-94.0/470	94000	72300	470	3	Φ710	3x1862	380	3x16200	6x2.4	Φ28	Φ50	ZG1.5*
ZLH-116/580	116000	89230	580	3	Φ710	3x1862	380	3x16200	6x2.6	Φ28	Φ50	ZG2*
Remark	Refrigerant 制冷剂: R404A											

ZLM型冷风机主要技术参数

ZLM Type Air Cooler Specification

 片距 (6.0MM)
 Fin Space (6.0MM)

型号 Model	名义换热量 Capacity		冷却面积 Area	风机 Fan Motor					发热管功率 Defrosting	进液管 Liquid	回气管 Gas	下水管口径 Drainage
	TC=0°C	TC=-18°C		数量 Quantity	直径 Diameter	电机功率 Power	电压 Voltage	风量 Air Flow				
	DT1=8K	DT1=7K										
W	W	m ²	pcs	mm	W	V	m ³ /h	kw	mm	mm		
ZLM-1.3/7	1690	1300	7	1	Φ350	1x190	380	1x3100	3x0.5	Φ12	Φ16	ZG1*
ZLM-2.2/12	2860	2200	12	2	Φ350	2x190	380	2x3100	3x0.9	Φ12	Φ16	ZG1*
ZLM-2.8/15	3640	2800	15	2	Φ350	2x190	380	2x3100	3x0.9	Φ12	Φ16	ZG1*
ZLM-3.7/22	4810	3700	22	3	Φ350	3x190	380	3x3100	3x1.2	Φ12	Φ16	ZG1*
ZLM-5.6/30	7280	5600	30	2	Φ400	2x227	380	2x4000	3x1.5	Φ16	Φ25	ZG1*
ZLM-7.5/40	9750	7500	40	2	Φ400	2x227	380	2x4000	3x1.5	Φ16	Φ25	ZG1*
ZLM-11.2/60	14560	11200	60	2	Φ500	2x448	380	2x6500	6x1.3	Φ19	Φ38	ZG1*
ZLM-14.9/80	19370	14900	80	2	Φ500	2x448	380	2x6500	6x1.5	Φ19	Φ38	ZG1*
ZLM-18.7/100	24310	18700	100	3	Φ500	3x448	380	3x6500	6x1.9	Φ19	Φ38	ZG1*
ZLM-22.4/120	29120	22400	120	3	Φ500	3x448	380	3x6500	6x2.4	Φ19	Φ38	ZG1*
ZLM-26.2/140	34060	26200	140	4	Φ500	4x448	380	4x6500	6x2.6	Φ25	Φ50	ZG1*
ZLM-30.0/160	39000	30000	160	4	Φ500	4x448	380	4x6500	6x2.8	Φ25	Φ50	ZG1*
ZLM-37.4/200	48620	37400	200	4	Φ550	4x670	380	4x8500	7x2.6	Φ25	Φ50	ZG1*
ZLM-46.2/250	60060	46200	250	4	Φ550	4x670	380	4x8500	9x2.6	Φ25	Φ50	ZG1*
ZLM-57.3/310	74490	57300	310	4	Φ600	4x820	380	4x12000	9x2.8	Φ25	Φ50	ZG1.5*
ZLM-66.6/360	86580	66600	360	3	Φ710	3x1862	380	3x16200	12x2.4	Φ28	Φ50	ZG1.5*
ZLM-81.4/450	105820	81400	450	3	Φ710	3x1862	380	3x16200	12x2.6	Φ28	Φ50	ZG2*
Remark	Refrigerant 制冷剂: R404A											

ZLL型冷风机主要技术参数

ZLL Type Air Cooler Specification

 片距 (9.0MM)
 Fin Space (9.0MM)

型号 Model	名义换热量 Capacity		冷却面积 Area	风机 Fan Motor					发热管功率 Defrosting	进液管 Liquid	回气管 Gas	下水管口径 Drainage
	TC=-18°C	TC=-25°C		数量 Quantity	直径 Diameter	电机功率 Power	电压 Voltage	风量 Air Flow				
	DT1=8K	DT1=7K										
W	W	m ²	pcs	mm	W	V	m ³ /h	kw	mm	mm		
ZLL-1.2/8	1680	1200	8	2	Φ350	2x190	380	2x3100	3x0.9	Φ12	Φ16	ZG1*
ZLL-2.1/15	2940	2100	15	3	Φ350	3x190	380	3x3100	3x1.2	Φ12	Φ16	ZG1*
ZLL-3.6/20	5040	3600	20	2	Φ400	2x240	380	2x4000	3x1.5	Φ16	Φ25	ZG1*
ZLL-4.6/30	6440	4600	30	2	Φ400	2x240	380	2x4000	3x1.5	Φ16	Φ25	ZG1*
ZLL-7.1/40	9940	7100	40	2	Φ500	2x448	380	2x6500	6x1.3	Φ19	Φ38	ZG1*
ZLL-8.9/55	12460	8900	55	2	Φ500	2x448	380	2x6500	6x1.5	Φ19	Φ38	ZG1*
ZLL-11.6/70	16240	11600	70	3	Φ500	3x448	380	3x6500	6x1.9	Φ19	Φ38	ZG1*
ZLL-14.3/85	20020	14300	85	3	Φ500	3x448	380	3x6500	6x2.4	Φ19	Φ38	ZG1*
ZLL-17.1/100	23940	17100	100	4	Φ500	4x448	380	4x6500	6x2.6	Φ25	Φ50	ZG1*
ZLL-19.6/115	27440	19600	115	4	Φ500	4x448	380	4x6500	6x2.8	Φ25	Φ50	ZG1*
ZLL-23.1/140	32340	23100	140	4	Φ550	4x670	380	4x8500	7x2.6	Φ25	Φ50	ZG1*
ZLL-28.0/170	39200	28000	170	4	Φ550	4x670	380	4x8500	9x2.6	Φ25	Φ50	ZG1*
ZLL-34.6/210	48440	34600	210	4	Φ600	4x820	380	4x12000	9x2.8	Φ25	Φ50	ZG1.5*
ZLL-41.2/250	57380	41200	250	3	Φ710	3x1862	380	3x16200	12x2.4	Φ28	Φ50	ZG1.5*
ZLL-49.5/300	6930	49500	300	3	Φ710	3x1862	380	3x16200	12x2.6	Φ28	Φ50	ZG2*
Remark	Refrigerant 制冷剂: R404A											





产品特点

Products characteristics

D系列冷风机是款配套与氟利昂制冷机组的新型降温设备。采用高效翅片，高质量φ9.52、φ14铜管。分为DL、DD、DJ三类产品。DL款适用于库温-5~5℃的保鲜库，DD款适用于-15~-20℃的冷藏库，DJ款适用于<-25℃的冷冻库。

该系列产品具有如下特点：

- 钣金采用优质钢板或压花铝板，强度高，防震性能优良，并经喷塑处理，更耐腐蚀。
- 盘管采用错排方式，并采用机械胀管使铜管与铝片紧密结合，换热效率更高。
- 采用优质加热管，发热均匀，并采用均布设计，化霜均匀高效。
- 集水盘多层设计，配合均布电热管，化霜更快更均匀，并有效防止二次结冰。
- 可用长距离送风风筒，适用不同的降温范围。

It is classical and practical air cooler match with Freon Refrigeration Unit. Adopting high efficiency aluminum fins and copper tube with diameter φ 9.52mm or φ 14mm.

Dividing into 3 series DL, DD and DJ depend on the different fin space suit to different room temperature demand.

DL for fresh storage with temperature at -5 to +5 °C,

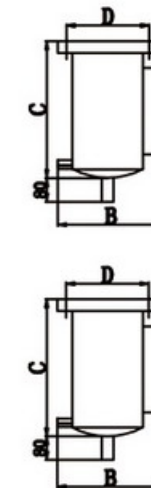
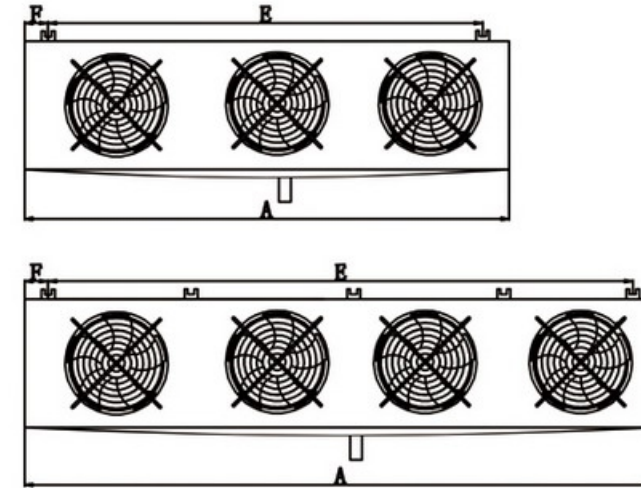
DD for refrigerated storage with temperature at -15 to -20 °C,

DJ for freezer room with temperature at < -25 °C.

- Shell metal made by high-quality steel sheet or embossed aluminum sheet: high strength, excellent vibration resistance, and spray-treated to be more resistant to corrosion.
- Coils adopt staggered pattern, Mechanical expansion tightly combine the copper tube with the aluminum sheet to improve heat exchange efficiency.
- Adopting high quality defrost heater and evenly distribution for high effective defrosting.
- Water drain plate with Multi-layer design and combined with defrost heater, accelerate homogenizing defrosting and effectively prevent secondary freezing.
- long distance air supply duct can be chose for different cooling temperature range.

型号说明

Products characteristics



安装尺寸表

Installation Dimension Table

型号 Model	外形尺寸(mm)Overall Size			安装尺寸(mm) Installation Size		型号 Model	外形尺寸(mm)Overall Size			安装尺寸(mm) Installation Size	
	A	B	C	D	E		A	B	C	D	E
DD-1.3/7 DL-2.0/10	740	360	465	280	535	DD-22.4/120 DL32.6/160 DJ-14.3/85	2730	560	670	460	2450
DD-2.2/12 DD-2.8/15 DL-3.0/15 DJ-1.2/8	1145	360	465	280	935	DD-26.2/140 DL-37.6/185 DJ-17.1/100	3130	560	670	460	2850
DD-3.7/22 DL-5.0/25 DJ-2.1/15	1590	430	480	280	1380	DD-30/160 DL-42.7/210 DJ-19.6/115	3530	560	670	460	3250
DD-5.6/30 DL-8.0/40 DJ-3.6/20	1530	500	565	400	1250	DD-37.4/200 DL-52.9/260 DJ-23.1/140	3130	680	770	580	2850
DD-7.5/40 DL-11.2/55 DJ-4.6/30	1530	500	565	400	1250	DD-46.2/250 DL-66/330 DJ-28/170	3330	680	770	580	3050
DD-11.2/60 DL-16.2/80 DJ-7.1/40	1830	560	670	460	1550	DD-57.3/310 DL-82/410 DJ-34.6/210	3530	680	870	580	3250
DD-14.9/80 DL-21.3/105 DJ-8.9/55	1830	560	670	460	1550	DD-66.6/360 DL-94/470 DJ-41.2250	3030	780	970	710	2750
DD-18.7/100 DL-21.3/125 DJ-11.6/70	2310	560	670	460	2030	DD-81.4/45 DL-116/580 DJ-49/5300	3330	830	970	760	3050

注：可根据客户要求定制产品 Remark:We can customized according to customers' requirement

DL型冷风机主要技术参数

DL Type Air Cooler Specification

 片距 (4.5MM)
Fin Space (4.5MM)

型号 Model	名义换热量 Capacity		冷却面积 Area	风机 Fan Motor					发热管功率 Defrosting	进液管 Liquid	回气管 Gas	下水管口径 Drainage
	TC=0°C	TC=-18°C		数量 Quantity	直径 Diameter	电机功率 Power	电压 Voltage	风量 Air Flow				
	DT1=8K	DT1=7K										
W	W	m ²	pcs	mm	W	V	m ³ /h	kw	mm	mm		
DL-2.0/10	2000	1428	10	1	Φ350	1x190	380	1x3100	2x0.5	Φ12	Φ16	ZG1"
DL-3.0/15	3000	2142	15	2	Φ350	2x190	380	2x3100	2x0.9	Φ12	Φ16	ZG1"
DL-5.0/25	5000	3800	25	3	Φ350	3x190	380	3x3100	2x1.2	Φ12	Φ16	ZG1"
DL-8.0/40	8000	6150	40	2	Φ400	2x227	380	2x4000	3x1.3	Φ16	Φ25	ZG1"
DL-11.2/55	11200	8600	55	2	Φ400	2x227	380	2x4000	3x1.3	Φ16	Φ25	ZG1"
DL-16.2/80	16200	12450	80	2	Φ500	2x448	380	2x6500	3x1.3	Φ19	Φ38	ZG1"
DL-21.3/105	21300	16350	105	2	Φ500	2x448	380	2x6500	3x1.5	Φ19	Φ38	ZG1"
DL-25.0/125	25000	19200	125	3	Φ500	3x448	380	3x6500	3x1.9	Φ19	Φ38	ZG1"
DL-32.6/160	32600	25000	160	3	Φ500	3x448	380	3x6500	3x2.4	Φ19	Φ38	ZG1"
DL-37.6/185	37600	28900	185	4	Φ500	4x448	380	4x6500	3x2.6	Φ25	Φ50	ZG1"
DL-42.7/210	42700	32800	210	4	Φ500	4x448	380	4x6500	3x2.8	Φ25	Φ50	ZG1"
DL-52.9/260	52900	40690	260	4	Φ550	4x670	380	4x8500	4x2.6	Φ25	Φ50	ZG1"
DL-66.0/330	66000	50700	330	4	Φ550	4x670	380	4x8500	5x2.6	Φ25	Φ50	ZG1"
DL-82.0/410	82000	63000	410	4	Φ600	4x820	380	4x12000	5x2.8	Φ25	Φ50	ZG1.5"
DL-94.0/470	94000	72300	470	3	Φ710	3x1862	380	3x16200	6x2.4	Φ28	Φ50	ZG1.5"
DL-116/580	116000	89230	580	3	Φ710	3x1862	380	3x16200	6x2.6	Φ28	Φ50	ZG2"
Remark	Refrigerant 制冷剂: R404A											

DD型冷风机主要技术参数

DD Type Air Cooler Specification

 片距 (6.0MM)
Fin Space (6.0MM)

型号 Model	名义换热量 Capacity		冷却面积 Area	风机 Fan Motor					发热管功率 Defrosting	进液管 Liquid	回气管 Gas	下水管口径 Drainage
	TC=0°C	TC=-18°C		数量 Quantity	直径 Diameter	电机功率 Power	电压 Voltage	风量 Air Flow				
	DT1=8K	DT1=7K										
W	W	m ²	pcs	mm	W	V	m ³ /h	kw	mm	mm		
DD-1.3/7	1690	1300	7	1	Φ350	1x190	380	1x3100	3x0.5	Φ12	Φ16	ZG1"
DD-2.2/12	2860	2200	12	2	Φ350	2x190	380	2x3100	3x0.9	Φ12	Φ16	ZG1"
DD-2.8/15	3640	2800	15	2	Φ350	2x190	380	2x3100	3x0.9	Φ12	Φ16	ZG1"
DD-3.7/22	4810	3700	22	3	Φ350	3x190	380	3x3100	3x1.2	Φ12	Φ16	ZG1"
DD-5.6/30	7280	5600	30	2	Φ400	2x227	380	2x4000	3x1.5	Φ16	Φ25	ZG1"
DD-7.5/40	9750	7500	40	2	Φ400	2x227	380	2x4000	3x1.5	Φ16	Φ25	ZG1"
DD-11.2/60	14560	11200	60	2	Φ500	2x448	380	2x6500	6x1.3	Φ19	Φ38	ZG1"
DD-14.9/80	19370	14900	80	2	Φ500	2x448	380	2x6500	6x1.5	Φ19	Φ38	ZG1"
DD-18.7/100	24310	18700	100	3	Φ500	3x448	380	3x6500	6x1.9	Φ19	Φ38	ZG1"
DD-22.4/120	29120	22400	120	3	Φ500	3x448	380	3x6500	6x2.4	Φ19	Φ38	ZG1"
DD-26.2/140	34060	26200	140	4	Φ500	4x448	380	4x6500	6x2.6	Φ25	Φ50	ZG1"
DD-30.0/160	39000	30000	160	4	Φ500	4x448	380	4x6500	6x2.8	Φ25	Φ50	ZG1"
DD-37.4/200	48620	37400	200	4	Φ550	4x670	380	4x8500	7x2.6	Φ25	Φ50	ZG1"
DD-46.2/250	60060	46200	250	4	Φ550	4x670	380	4x8500	9x2.6	Φ25	Φ50	ZG1"
DD-57.3/310	74490	57300	310	4	Φ600	4x820	380	4x12000	9x2.8	Φ25	Φ50	ZG1.5"
DD-66.6/360	86580	66600	360	3	Φ710	3x1862	380	3x16200	12x2.4	Φ28	Φ50	ZG1.5"
DD-81.4/450	105820	81400	450	3	Φ710	3x1862	380	3x16200	12x2.6	Φ28	Φ50	ZG2"
Remark	Refrigerant 制冷剂: R404A											

DJ型冷风机主要技术参数

DJ Type Air Cooler Specification

 片距 (9.0MM)
Fin Space (9.0MM)

型号 Model	名义换热量 Capacity		冷却面积 Area	风机 Fan Motor					发热管功率 Defrosting	进液管 Liquid	回气管 Gas	下水管口径 Drainage
	TC=-18°C	TC=-25°C		数量 Quantity	直径 Diameter	电机功率 Power	电压 Voltage	风量 Air Flow				
	DT1=8K	DT1=7K										
W	W	m ²	pcs	mm	W	V	m ³ /h	kw	mm	mm		
DJ-1.2/8	1680	1200	8	2	Φ350	2x190	380	2x3100	3x0.9	Φ12	Φ16	ZG1"
DJ-2.1/15	2940	2100	15	3	Φ350	3x190	380	3x3100	3x1.2	Φ12	Φ16	ZG1"
DJ-3.6/20	5040	3600	20	2	Φ400	2x227	380	2x4000	3x1.5	Φ16	Φ25	ZG1"
DJ-4.6/30	6440	4600	30	2	Φ400	2x227	380	2x4000	3x1.5	Φ16	Φ25	ZG1"
DJ-7.1/40	9940	7100	40	2	Φ500	2x448	380	2x6500	6x1.3	Φ19	Φ38	ZG1"
DJ-8.9/55	12460	8900	55	2	Φ500	2x448	380	2x6500	6x1.5	Φ19	Φ38	ZG1"
DJ-11.6/70	16240	11600	70	3	Φ500	3x448	380	3x6500	6x1.9	Φ19	Φ38	ZG1"
DJ-14.3/85	20020	14300	85	3	Φ500	3x448	380	3x6500	6x2.4	Φ19	Φ38	ZG1"
DJ-17.1/100	23940	17100	100	4	Φ500	4x448	380	4x6500	6x2.6	Φ25	Φ50	ZG1"
DJ-19.6/115	27440	19600	115	4	Φ500	4x448	380	4x6500	6x2.8	Φ25	Φ50	ZG1"
DJ-23.1/140	32340	23100	140	4	Φ550	4x670	380	4x8500	7x2.6	Φ25	Φ50	ZG1"
DJ-28.0/170	39200	28000	170	4	Φ550	4x670	380	4x8500	9x2.6	Φ25	Φ50	ZG1"
DJ-34.6/210	48440	34600	210	4	Φ600	4x820	380	4x12000	9x2.8	Φ25	Φ50	ZG1.5"
DJ-41.2/250	57380	41200	250	3	Φ710	3x1862	380	3x16200	12x2.4	Φ28	Φ50	ZG1.5"
DJ-49.5/300	6930	49500	300	3	Φ710	3x1862	380	3x16200	12x2.6	Φ28	Φ50	ZG2"
Remark	Refrigerant 制冷剂: R404A											





产品特点

Products characteristics

水冲霜系列冷风机是适用于速冻库，水果蔬菜库以及要求快速除霜的冷库使用的降温设备，这款冷风机提供了3种不同翅片间距满足高温、中温、低温等不同温湿度的使用需求。分SDL、SDD、SDJ三种产品，SDL款适用于库温-5~5℃的保鲜库，SDD款适用于-15~-20℃的冷藏库，SDJ款适用于<-25℃的冷冻库。

该系列产品具有如下特点：

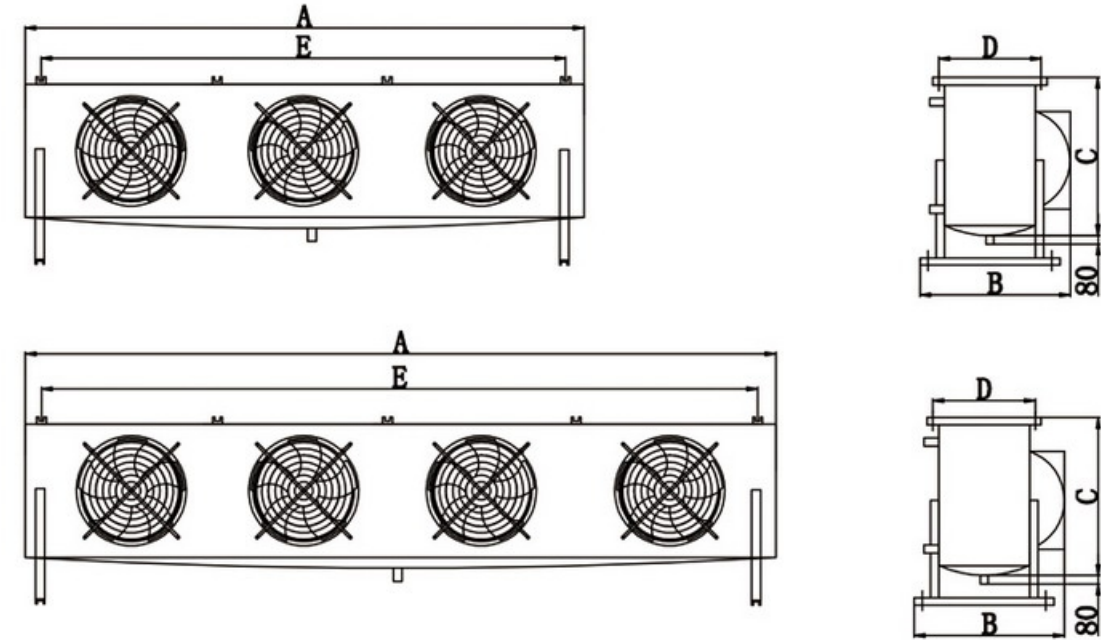
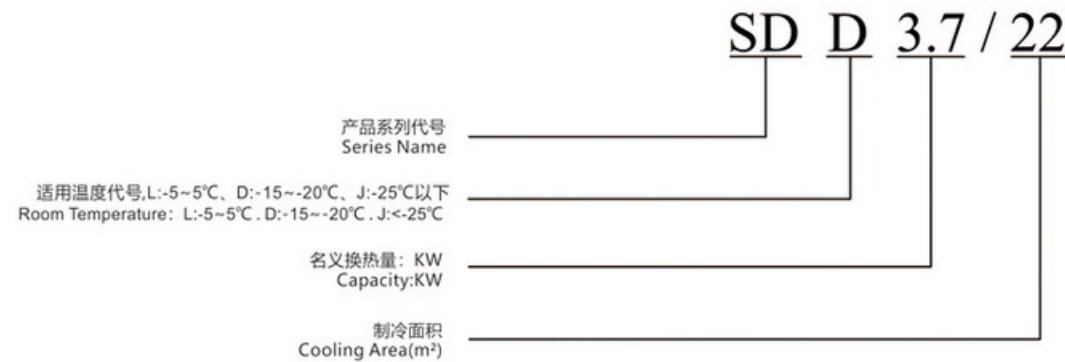
- 钣金采用优质钢板，强度高，防震性能优良，并经喷塑处理，更耐腐蚀。
- 盘管采用错排方式，利用胀管机，使得铜管与铝片紧密结合，达到高效的换热效果。
- 科学的接水结构以及布水盘设计，确保冲霜水在盘管表面分布均匀，除霜均匀。
- 合理挡水板设计，防止化霜水的溅出，有效减少有害热量。
- 可选用长距离送风风筒和防爆电机。

It suits to instant frozen warehouse, fruit and vegetable warehouse or rapid defrosting freezer. Dividing into 3 series SDL, SDD and SDJ according to fin space difference, suit to different humidity and temperature condition. SDL for fresh storage with temperature at -5 to +5 °C, SDD for refrigerated storage with temperature at -15 to -20 °C, SDJ for freezer room with temperature at <-25 °C

- Shell metal made by high-quality steel sheet: high strength, excellent vibration resistance, and spray-treated to be more resistant to corrosion.
- Coils adopt staggered pattern, mechanical expansion tightly combine the copper tube with the aluminum sheet to improve heat exchange efficiency.
- Scientific water collecting structure and water distributor design ensure frost water evenly distributed for effective defrosting on the coil surface.
- Reasonable water baffle design prevent frost water splashing and reducing harmful heat.
- long distance air supply duct and explosion-proof motor can be chose.

型号说明

Products characteristics



安装尺寸表

Installation Dimension Chart

型号 Model	外形尺寸(mm)Overall Size			安装尺寸(mm) Installation Size		型号 Model	外形尺寸(mm)Overall Size			安装尺寸(mm) Installation Size	
	A	B	C	D	E		A	B	C	D	E
SDD-3.7/22 SDL-5.0/25 SDJ-2.1/15	1580	410	610	260	1380	SDD-26.2/140 SDL-37.6/185 SDJ-17.1/100	3120	830	810	680	2850
SDD-5.6/30 SDL-8.0/40 SDJ-3.6/20	1520	740	700	580	1250	SDD-30/160 SDL-42.7/210 SDJ-49.6/115	3520	830	810	680	3250
SDD7.5/40 SDL-11.2/55 SDJ-4.6/30	1520	740	700	580	1250	SDD-37.4/200 SDL-52.9/260 SDJ-23.1/140	3120	950	930	800	2850
SDD-11.2/60 SDL-16.2/80 SDJ-7.1/40	1820	830	810	680	1550	SDD-46.2/250 SDL-66/330 SDJ-28/170	3320	950	930	800	3050
SDD-14.9/80 SDL-21.3/105 SDJ-8.9/55	1820	830	810	680	1550	SDD-57.3/310 SDL-82/410 SDJ-34.6/210	3520	950	1030	800	3250
SDD-187/100 SDL-25/125 SDJ-11.6/70	2300	830	810	680	2030	SDD-66.6/360 SDL-94/470 SDJ-41.2/250	3020	1050	1130	930	2750
SDD-22.4/120 SDL-32.6/160 SDJ-14.3/85	2720	830	810	680	2450	SDD-81.4/450 SDL-116/580 SDJ-49.5/300	3320	1100	1130	980	3050

注：1.水冲霜冷风机不加电热管 2.可根据客户要求定制产品

Remark: 1.Water stroke frost air coolers without electric heater 2.We can customized according to customers' requirement

SDL型冷风机主要技术参数

SDL Type Air Cooler Specification

 片距 (4.5MM)
Fin Space (4.5MM)

型号 Model	名义换热量 Capacity		冷却面积 Area	风机 Fan Motor					进液管 Liquid	回气管 Gas	进水管 Inlet	出水管 Outlet
	TC=0°C	TC=-18°C		数量 Quantity	直径 Diameter	电机功率 Power	电压 Voltage	风量 Air Flow				
	DT1=8K	DT1=7K										
W	W	m ²	PCS	mm	W	V	m ³ /h	mm	mm	IN	IN	
SDL-5.0/25	5000	3800	25	3	Φ350	3x190	380	3x3100	Φ12	Φ16	1"	1-1/2"
SDL-8.0/40	8000	6150	40	2	Φ400	2x227	380	2x4000	Φ16	Φ25	1"	1-1/2"
SDL-11.2/55	11200	8600	55	2	Φ400	2x227	380	2x4000	Φ16	Φ25	1"	1-1/2"
SDL-16.2/80	16200	12460	80	2	Φ500	2x448	380	2x6500	Φ19	Φ38	1-1/2"	2"
SDL-21.3/105	21300	16380	105	2	Φ500	2x448	380	2x6500	Φ19	Φ38	1-1/2"	2"
SDL-25.0/125	25000	19230	125	3	Φ500	3x448	380	3x6500	Φ19	Φ38	1-1/2"	2"
SDL-32.6/160	32600	25070	160	3	Φ500	3x448	380	3x6500	Φ19	Φ38	1-1/2"	2-1/2"
SDL-37.6/185	37600	28920	185	4	Φ500	4x448	380	4x6500	Φ25	Φ50	1-1/2"	2-1/2"
SDL-42.7/210	42700	32840	210	4	Φ500	4x448	380	4x6500	Φ25	Φ50	2"	2-1/2"
SDL-52.9/260	52900	40690	260	4	Φ550	4x670	380	4x8500	Φ25	Φ50	2"	3"
SDL-66.0/330	66600	51230	330	4	Φ550	4x670	380	4x8500	Φ25	Φ50	2"	3"
SDL-82.0/410	82000	63076	410	4	Φ600	4x820	380	4x12000	Φ25	Φ50	2"	3"
SDL-94.0/470	94000	72300	470	3	Φ710	3x1862	380	3x16200	Φ28	Φ50	2x2"	4"
SDL-116/580	116000	89230	580	3	Φ710	3x1862	380	3x16200	Φ28	Φ50	2x2"	4"
Remark	Refrigerant 制冷剂: R404A											

SDD型冷风机主要技术参数

SDD Type Air Cooler Specification

 片距 (6.0MM)
Fin Space (6.0MM)

型号 Model	名义换热量 Capacity		冷却面积 Area	风机 Fan Motor					进液管 Liquid	回气管 Gas	进水管 Inlet	出水管 Outlet
	TC=0°C	TC=-18°C		数量 Quantity	直径 Diameter	电机功率 Power	电压 Voltage	风量 Air Flow				
	DT1=8K	DT1=7K										
W	W	m ²	PCS	mm	W	V	m ³ /h	mm	mm	IN	IN	
SDD-3.7/22	4810	3700	22	3	Φ350	3x190	380	3x3100	Φ12	Φ16	1"	1-1/2"
SDD-5.6/30	7280	5600	30	2	Φ400	2x227	380	2x4000	Φ16	Φ25	1"	1-1/2"
SDD-7.5/40	9750	7500	40	2	Φ400	2x227	380	2x4000	Φ16	Φ25	1"	1-1/2"
SDD-11.2/60	14560	11200	60	2	Φ500	2x448	380	2x6500	Φ19	Φ38	1-1/2"	2"
SDD-14.9/80	19370	14900	80	2	Φ500	2x448	380	2x6500	Φ19	Φ38	1-1/2"	2"
SDD-18.7/100	24310	18700	100	3	Φ500	3x448	380	3x6500	Φ19	Φ38	1-1/2"	2"
SDD-22.4/120	29120	22400	120	3	Φ500	3x448	380	3x6500	Φ19	Φ38	1-1/2"	2-1/2"
SDD-26.2/140	34060	26200	140	4	Φ500	4x448	380	4x6500	Φ25	Φ50	1-1/2"	2-1/2"
SDD-30.0/160	39000	30000	160	4	Φ500	4x448	380	4x6500	Φ25	Φ50	2"	2-1/2"
SDD-37.4/200	48620	37400	200	4	Φ550	4x670	380	4x8500	Φ25	Φ50	2"	3"
SDD-46.2/250	60060	46200	250	4	Φ550	4x670	380	4x8500	Φ25	Φ50	2"	3"
SDD-57.3/310	74490	57300	310	4	Φ600	4x820	380	4x12000	Φ25	Φ50	2"	3"
SDD-66.6/360	86580	66600	360	3	Φ710	3x1862	380	3x16200	Φ28	Φ50	2x2"	4"
SDD-81.4/450	105820	81400	450	3	Φ710	3x1862	380	3x16200	Φ28	Φ50	2x2"	4"
Remark	Refrigerant 制冷剂: R404A											

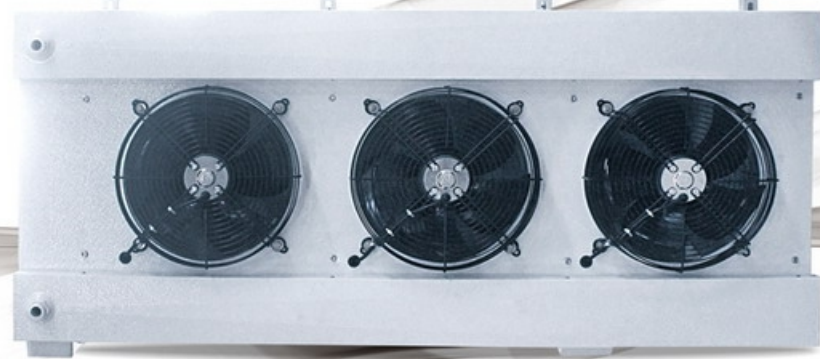
SDJ型冷风机主要技术参数

SDJ Type Air Cooler Specification

 片距 (9.0MM)
Fin Space (9.0MM)

型号 Model	名义换热量 Capacity		冷却面积 Area	风机 Fan Motor					进液管 Liquid	回气管 Gas	进水管 Inlet	出水管 Outlet
	TC=-18°C	TC=-25°C		数量 Quantity	直径 Diameter	电机功率 Power	电压 Voltage	风量 Air Flow				
	DT1=8K	DT1=7K										
W	W	m ²	PCS	mm	W	V	m ³ /h	mm	mm	IN	IN	
SDJ-2.1/15	2520	2100	15	3	Φ350	2x190	380	3x3100	Φ12	Φ16	1"	1-1/2"
SDJ-3.6/20	4320	3600	20	2	Φ400	2x227	380	2x4000	Φ16	Φ25	1"	1-1/2"
SDJ-4.6/30	5520	4600	30	2	Φ400	2x227	380	2x4000	Φ16	Φ25	1"	1-1/2"
SDJ-7.1/40	8520	7100	40	2	Φ500	2x448	380	2x6500	Φ19	Φ38	1-1/2"	2"
SDJ-8.9/55	11570	8900	55	2	Φ500	2x448	380	2x6500	Φ19	Φ38	1-1/2"	2"
SDJ-11.6/70	15080	11600	70	3	Φ500	3x448	380	3x6500	Φ19	Φ38	1-1/2"	2"
SDJ-14.3/85	17160	14300	85	3	Φ500	3x448	380	3x6500	Φ19	Φ38	1-1/2"	2-1/2"
SDJ-17.1/100	20520	17100	100	4	Φ500	4x448	380	4x6500	Φ25	Φ50	1-1/2"	2-1/2"
SDJ-19.6/115	23520	19600	115	4	Φ500	4x448	380	4x6500	Φ25	Φ50	2"	2-1/2"
SDJ-23.1/140	27720	23100	140	4	Φ550	4x670	380	4x8500	Φ25	Φ50	2"	3"
SDJ-28.0/170	33600	28000	170	4	Φ550	4x670	380	4x8500	Φ25	Φ50	2"	3"
SDJ-34.6/210	41520	34600	210	4	Φ600	4x820	380	4x12000	Φ25	Φ50	2"	3"
SDJ-41.2/250	49400	41200	250	3	Φ710	3x1862	380	3x16200	Φ28	Φ50	2x2"	4"
SDJ-49.5/300	59400	49500	300	3	Φ710	3x1862	380	3x16200	Φ28	Φ50	2x2"	4"
Remark	Refrigerant 制冷剂: R404A											





产品特点

Products characteristics

DH双侧出风冷风机是用于加工间的库温降温设备，冷风从两侧出风，送风更加柔和。根据适用不同库温可分为DH-L、DH-D两种系列产品。DH-L款适用于-5~5℃的冷库，DH-D款适用于-15~-20℃的冷库。

- 采用科学合理的双侧出风方式，使得冷风分布的更加均匀。
- 所有冷风机均配新型的高效率、低噪音且具有内部热保护的风扇电机组件。
- 钣金采用优质钢板，外表面经过喷漆，耐腐蚀强度高，防震性能好
- 集水盘配有化霜板，化霜更快速均匀。

It suits to temperature cooling device, widely used into processing room. Cool air discharge from both sides, much more soft. Dividing into 2 series DH-L and DH-D according to fin space difference, suit to different room temperature. DH-L series for room temperature -5 to +5 °C, DH-D series for room temperature -20 to -15°C

- The scientific and reasonable bilateral outlet for cold air uniform distribution.
- All the air coolers equipped new fan motor assemblies with high efficiency, low noise and internal thermal protection.
- Shell metal made by high-quality steel sheet, high strength, excellent vibration resistance, and spray-treated to be more resistant to corrosion.
- Inside of water drain plate is equipped with defroster for accelerate defrosting evenly.

型号说明

Products characteristics

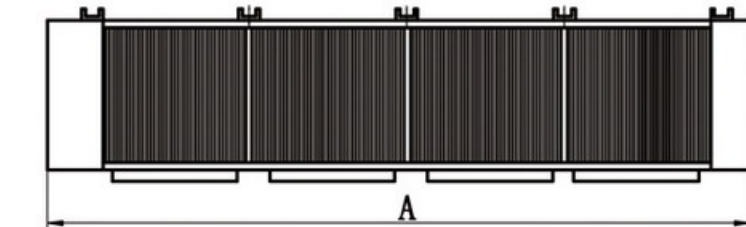
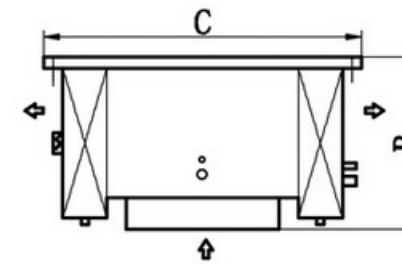
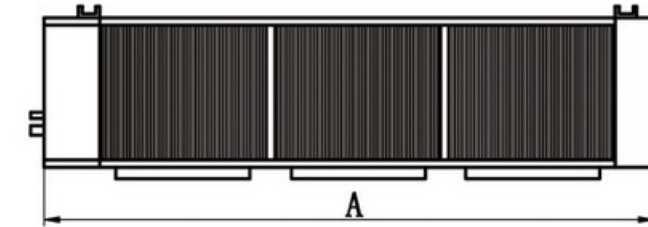
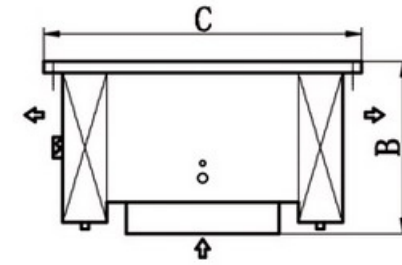
DH - D 10

表示DH双侧出风系类冷风机
DH: Double side air blow series

适用温度代号, L: -5~5℃, D: -15~-20℃

Suit to temperature, L: -5~5°C, D: -15~-20°C

换热面积
Heat exchange area(m²)



安装尺寸表

Installation Dimension Chart

型号 Model	A (mm)	B (mm)	C (mm)
DH-L10	600	350	720
DH-L20	1040	350	720
DH-L30	1460	350	720
DH-L40	1280	350	930
DH-L55	1600	350	930
DH-L80	1780	350	1100
DH-L105	2230	350	1100
DH-D7	600	350	720
DH-D15	1040	350	720
DH-D22	1460	350	720
DH-D30	1280	350	930
DH-D40	1600	350	930
DH-D60	1780	350	1100
DH-D80	2230	350	1100

DH-L型冷风机主要技术参数

DH-L Type Air Cooler Specification

 片距 (4.5mm)
 Fin Space (4.5mm)

型号 Model	名义换热量 Capacity		冷却面积 Area	风机 Fan Motor						融霜电热器 Defrosting Electric		
	TC=0°C DT1=8K	TC=-18°C DT1=7K		数量 Quantity	直径 Diameter	风量 Air Flow	电机功率 Power	电压 Voltage	转速 Rotate Speed	数目 Quantity	功率 Power	电压 Voltage
	W	W		㎡	Pcs	mm	m³/h	W	V	Rpm	Pcs	W
DH-L10	2000	1530	10	1	Φ300	1x1700	1x108	380	1355	2	1000	220
DH-L20	4000	4260	20	2	Φ300	2x1700	2x108	380	1355	2	3200	220
DH-L30	6000	4610	30	3	Φ300	3x1700	2x108	380	1355	2	4800	220
DH-L40	8000	6150	40	2	Φ400	2x4000	2x227	380	1382	2	4800	220
DH-L55	11000	8600	55	2	Φ400	2x4000	2x227	380	1382	2	6000	220
DH-L80	16000	12450	80	2	Φ450	2x5000	2x278	380	1354	2	6800	220
DH-L105	21000	16380	105	3	Φ450	3x5000	3x278	380	1354	2	8000	220
Remark	Refrigerant 制冷剂: R404A											

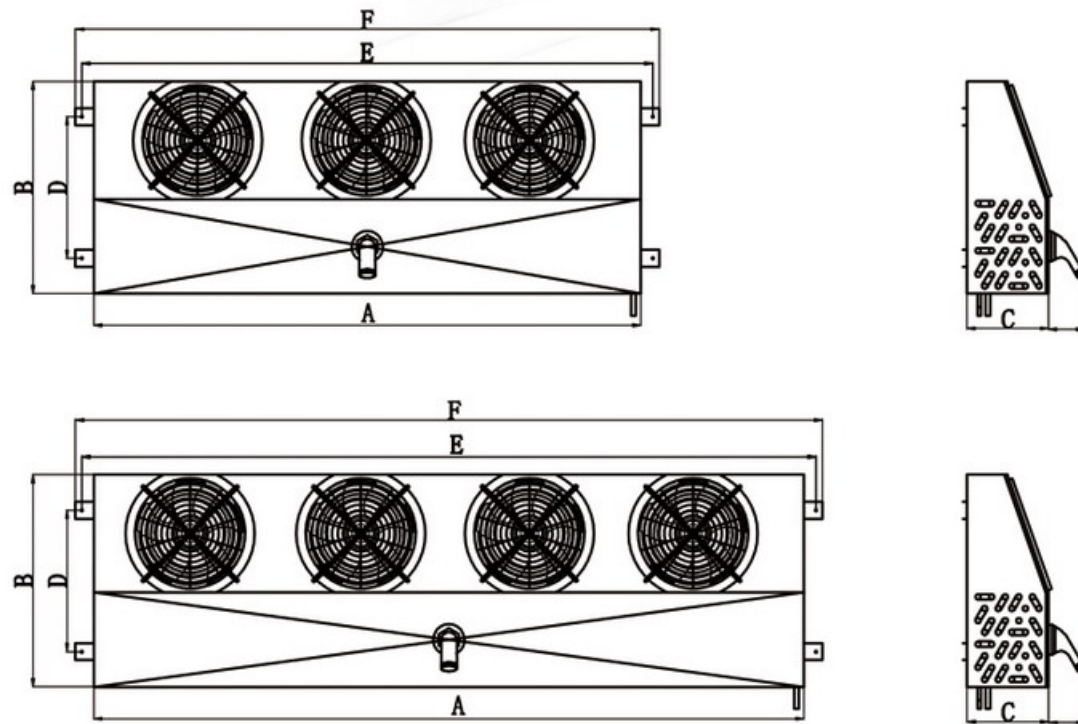
DH-D型冷风机主要技术参数

DH-D Type Air Cooler Specification

 片距 (6.0mm)
 Fin Space (6.0mm)

型号 Model	名义换热量 Capacity		冷却面积 Area	风机 Fan Motor						融霜电热器 Defrosting Electric		
	TC=0°C DT1=8K	TC=-18°C DT1=7K		数量 Quantity	直径 Diameter	风量 Air Flow	电机功率 Power	电压 Voltage	转速 Rotate Speed	数目 Quantity	功率 Power	电压 Voltage
	W	W		㎡	Pcs	mm	m³/h	W	V	Rpm	Pcs	W
DH-D7	1690	1300	7	1	Φ300	1x1700	1x108	380	1355	2	1000	220
DH-D15	3640	2800	15	2	Φ300	2x1700	2x108	380	1355	2	3200	220
DH-D22	4810	3700	22	3	Φ300	3x1700	2x108	380	1355	2	4800	220
DH-D30	7280	5600	30	2	Φ400	2x4000	2x227	380	1382	2	4800	220
DH-D40	9750	7500	40	2	Φ400	2x4000	2x227	380	1382	2	6000	220
DH-D60	14560	11200	60	2	Φ450	2x5000	2x278	380	1354	2	6800	220
DH-D80	19370	14900	80	3	Φ450	3x5000	3x278	380	1354	2	8000	220
Remark	Refrigerant 制冷剂: R404A											





安装尺寸表

Installation Dimension Chart

型号Model	A (mm)	B (mm)	C (mm)	D (mm)	E (mm)	F (mm)
DE-0.45/2.5	435	390	150	265	505	525
DE-0.9/5.0	745	390	150	265	815	835
DE-1.35/7.5	1055	390	150	265	1125	1145
DE-1.8/10.0	1365	390	150	265	1435	1455

产品特点

Products characteristics

De系列冷风机适用于小型冷藏柜中使用。可以与不同类型的压缩机组配套，外形美观精致，安装方便。

- 钣金表面白色喷漆，耐腐蚀强度高，防震性能好
- 采用高质量微光罩电机，有较高的安全标准，安装方式牢固可靠
- 合理的送风模式，使得冷柜迅速降温且温度均匀
- 优质不锈钢加热管均匀分布于盘管中，化霜快速均匀。

It suits to commercial refrigerator and freezer. Matching with different types of compressor units. Exquisite appearance and install convenient.

- Surface white painting aluminum sheet with high corrosion and vibration resistance.
- Adopting high-quality and famous brand flange motor with high safety standards and reliable installation.
- Reasonable air supply type make the cabinet cooling down rapidly and evenly
- High quality stainless steel defrost heater evenly distributed in the coil, defrosting fast and well-proportioned.

型号说明

Products characteristics

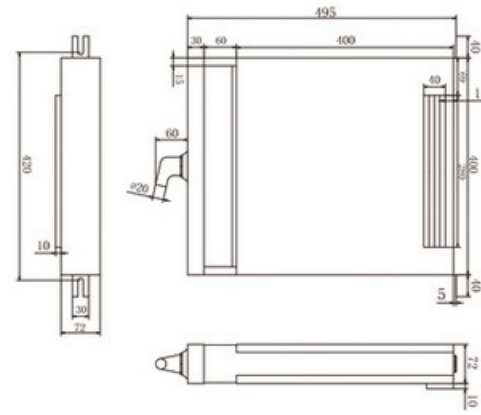
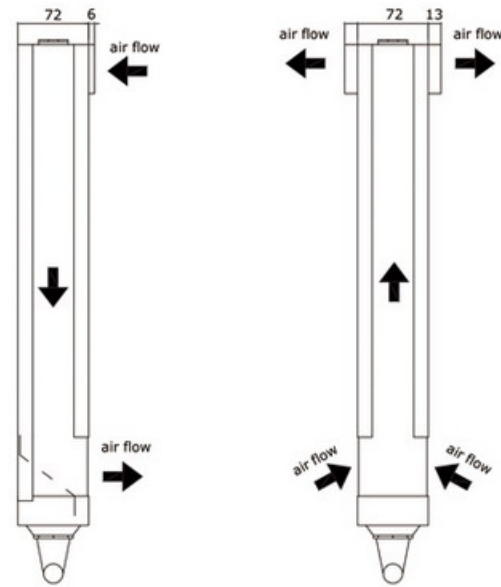
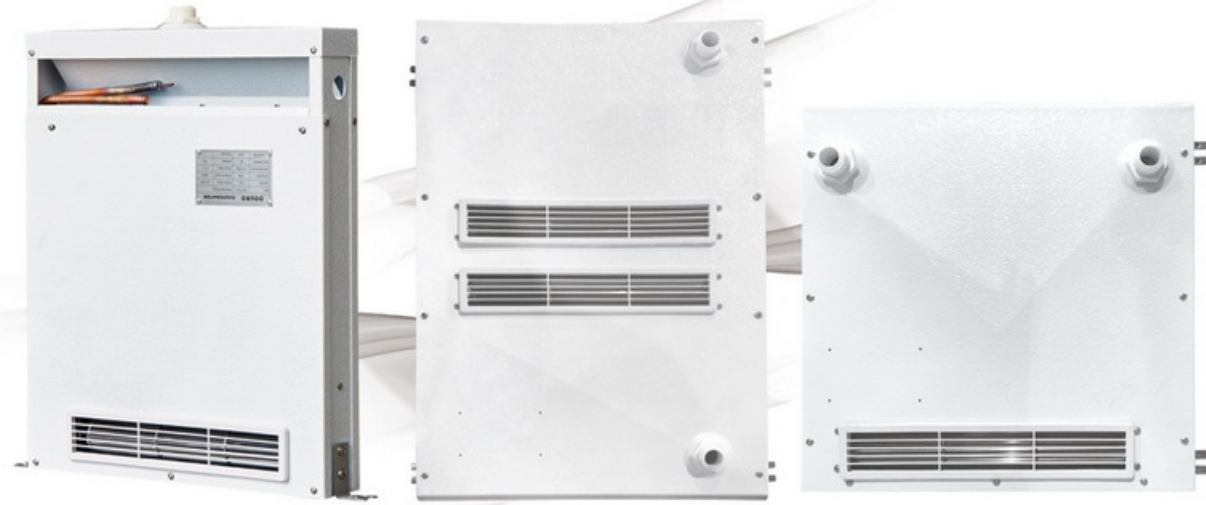


DE 系类冷风机主要技术参数

DE Series Air Cooler Specification

片距 (6.0mm)
Fin Space (6.0mm)

型号 Model	名义换热量 Capacity		冷却面积 Area	风机 Fan Motor						融霜电热器 Defrosting Electric		
	TC=0°C DT1=8K	TC=-18°C DT1=7K		数量 Quantity	直径 Diameter	风量 Air Flow	电机功率 Power	电压 Voltage	转速 Rotate Speed	数目 Quantity	功率 Power	电压 Voltage
	W	W		Pcs	mm	m³/h	W	V	Rpm	Pcs	W	V
DE-0.45/2.5	630	450	2.5	1	200	400	40	220	1300	1	500	220
DE-0.9/5.0	1260	900	5.0	2	200	2×400	2×40	220	1300	1	1000	220
DE-1.35/7.5	1890	1350	7.5	3	200	3×400	3×40	220	1300	1	1500	220
DE-1.8/10.0	2520	1800	10.0	4	200	4×400	4×40	220	1300	1	2000	220
Remark	Refrigerant 制冷剂: R404A											



ESH500P/ESL450P
ESH630P/ESL530P

产品特点

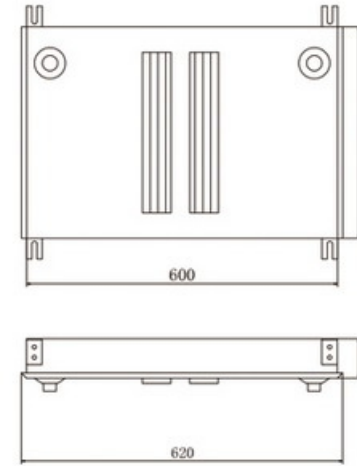
Products characteristics

E系列冷风机是一款新型冷风机，适用小型酒柜中适用。分为单侧出风，双侧出风两种出风模式。外壳采用压花铝板，美观大方。

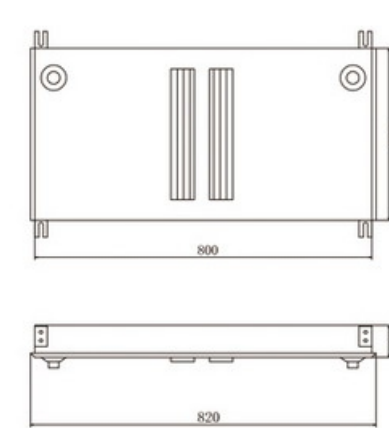
- 采用低噪音的贯流式风机，送风柔和
- 外形美观，轻巧，安装方便
- 优质不锈钢加热管均匀分布于盘管中，化霜快速均匀，可靠

It is a new type evaporator for wine cabinet. Two types be chose: unilateral and bilateral air discharge. Shell adopts aluminum sheet, anti-corrosion, beautiful and generous.

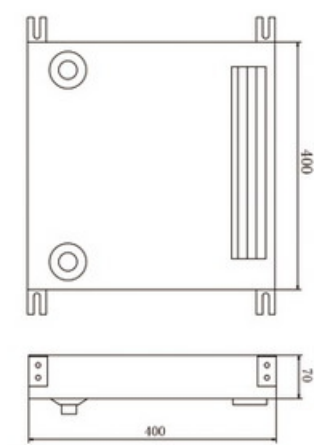
- Adopting low noise cross-flow fan, supply soft air and shrink evaporator thickness to save installing space.
- Compact volume with nice appearance, light weight and convenient installation.
- The high quality stainless steel heater evenly distributed in the coil, to make defrost fast and well-proportioned.



EDH600 / EDL450



EDH800 / EDL600



ESH400 / ESL300

E 系类冷风机主要技术参数 E Series Air Cooler Specification

型号 Model	名义换热量 Capacity		冷却面积 Area	风机 Fan Motor					融霜电热器 Defrosting Electric		
	TC=0°C DT1=8K	TC=-18°C DT1=7K		数量 Quantity	规格 Specification	风量 Air Volume	电机功率 Power	电压频率 Voltage/Herz	功率 Power	电压 Voltage	片距 Fin space
	W	W									
ESH500P	500	380	2.3	1	Φ48×290	198	25.3	220/50	Without heater		4mm
ESH630P	630	480	3.2	1	Φ48×290	198	25.3	220/50	Without heater		4mm
ESL450P	450	345	2.4	1	Φ48×290	198	25.3	220/50	350	220	6mm
ESL530P	530	400	2.8	1	Φ48×290	198	25.3	220/50	350	220	6mm
ESH400	400	300	2.3	1	Φ48×290	198	25.3	220/50	Without heater		4mm
EDH600	600	460	3.4	2	Φ48×290	2×198	2×25.3	220/50	Without heater		4mm
EDH800	800	615	4.6	2	Φ48×290	2×198	2×25.3	220/50	Without heater		4mm
ESL300	300	230	1.6	1	Φ48×290	198	25.3	220/50	350	220	6mm
EDL450	450	345	2.4	2	Φ48×290	2×198	2×25.3	220/50	350	220	6mm
EDL600	600	460	3.1	2	Φ48×290	2×198	2×25.3	220/50	350	220	6mm

Remark:

E:Evaporator

S:Single air discharge

H:Fin space 4mm,high temperature

P:With water collected drain plate

D:Double air discharge

L:Fin space 6mm,low temperature



产品特点

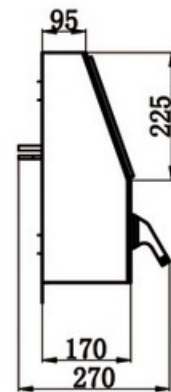
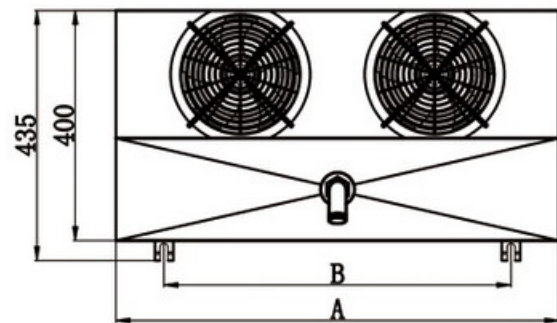
Products characteristics

BE系列冷风机适用于小型冷藏柜，与DE款冷风机外形相似。可以与不同类型的压缩机组配套，外形美观精致，安装方便。

产品优点:

- 采用国外新型直列排管方式，减少制冷剂在管路中的消耗，加大了换热能力。
- 进出管设计从背面出来，便于安装。
- 去除了传统化霜管中间插入的方法，将化霜管放置在蒸发盘管上方，便于维修。
- 采用高质量微光罩电机，有较高的安全标准，安装方式牢固可靠。

- Widely use into refrigerator, The appearance is similar with DE series evaporator.
- Matching with different types compressor, constuction is compact.
- Product advantages
- Mould geometric is square type which freon is straight flow, reducing consume of freon into tube, to increase heat exchange capacity.
- Inlet and outlet come out from black of evaporator, to make convenient installment.
- Defrost heater put the top of coil, which is very convenient to take out when maintain.
- Use hig quality flanged type shaded motor, for high safety standard, solid and reliable installment.



采用直列排管
Angle type diel

片距 (6.0mm)
Fin Space (6.0mm)

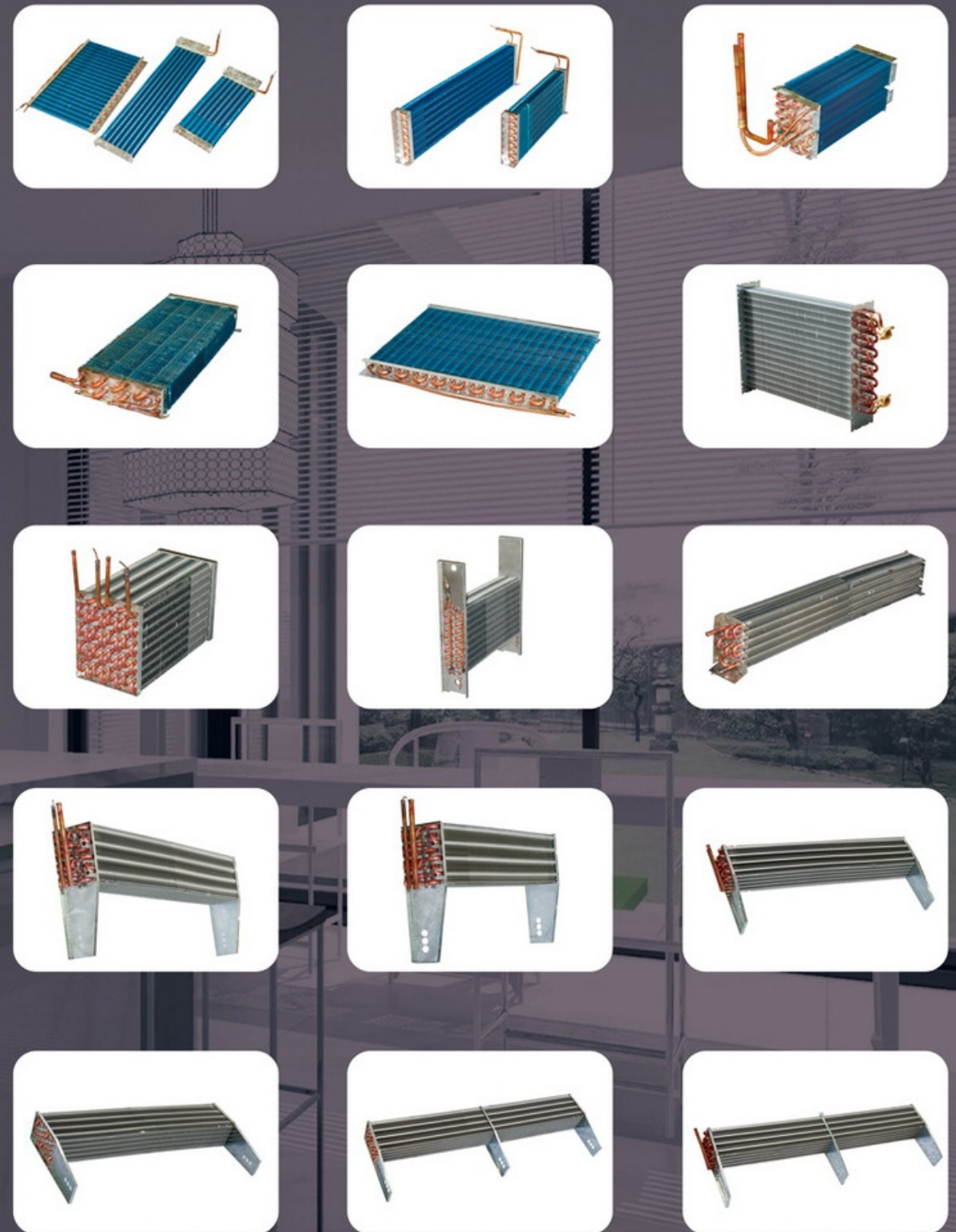
BE 系列冷风机主要技术参数

BE Series Evaporator Cooler Specification

型号 Model	名义排热量 Refrigeration Capacity	换热面积 Cool Area	风机 Fan Motor				融霜电热器 Defrosting Electric		尺寸 size (mm)	
			直径 Diameter	功率 Power	风量 Air Flow	电压 Voltage	功率 Power	电压 Voltage	A	B
BE320	300	1.7	1*200	1*40	1*400	1*400	340	110/220	380	230
BE340	420	2.3	1*200	1*40	1*400	1*400	340	110/220	450	300
BE420	630	3.5	2*200	2*40	2*400	2*400	560	110/220	595	445
BE520	780	4.3	2*200	2*40	2*400	2*400	640	110/220	690	540
BE600	900	5.0	2*200	2*40	2*400	2*400	714	110/220	765	715
BE940	1450	8.0	3*200	3*40	3*400	3*400	1160	110/220	1120	970
BE1300	1890	10.5	4*200	4*40	4*400	4*400	1280	110/220	1400	1250

Remark: 1. All models can be produced with or without heater.每个型号的电热器都可以选配。

定制产品



冷凝器系列 CONDENSER SERIES



产品特点

Products characteristics

风冷冷凝器是一种配套于氟里昂制冷设备用的利用空气进行冷却的散热设备。我公司生产的风冷冷凝器主要有三种形式：FNF型、FNV和FNH型，FNF型采用侧吹风的形式，FNV和FNH型采用顶吹风的形式。

该系列产品具有如下特点：

- 外壳采用优质钢板，表面喷塑、耐腐蚀、外形美观；
- 盘管采用铜管错排方式，利用机械胀管，使铜管与铝片紧密结合，换热效果好；
- 产品经过2.8MPa的气密性试验及系统排污处理；
- 可适用于R22、R134a、R404A、R407C等制冷剂；
- FNV型冷凝器具有迎风面大，换热效果好，均配用外转子电机，可广泛配套于较大的冷凝机组中使用；

We have FNF, FNV and FNH 3 sub series of air cooled condensers products.
FNF is side air blow type, and FNV and FNH are the top air blow type.

This series products features:

- Cabinet is steel plate with plastic spray, corrosion proof and pleasant looking.
- Mechanically expanded pipes with AL fins good heat transfer performance.
- 2.8MPa gas pressure tested pollution clear is done before delivery.
- Suitable for refrigerants of R22, R134a, R404A, R407C etc.
- With external fans, good heat transfer effect, the FNV is suitable for big capacity units.

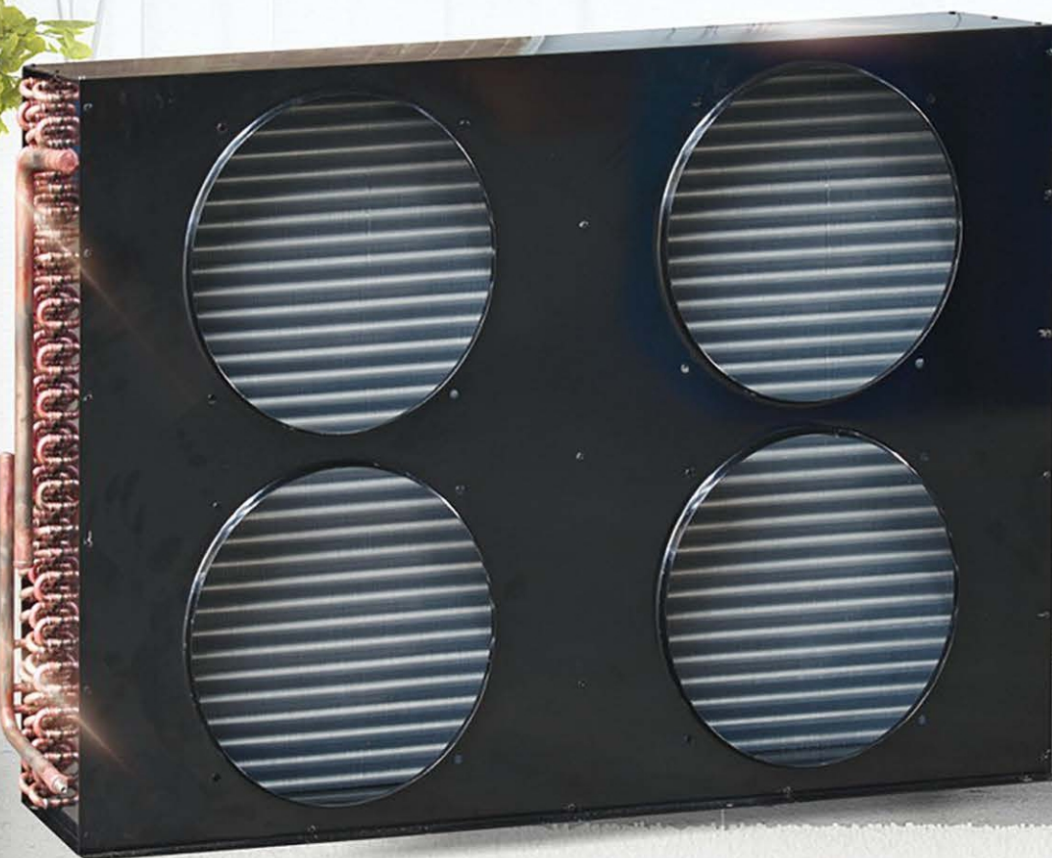


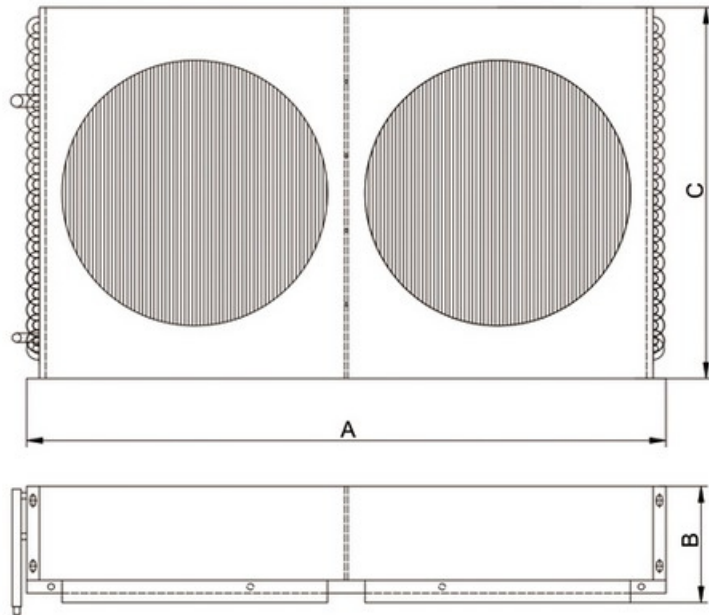
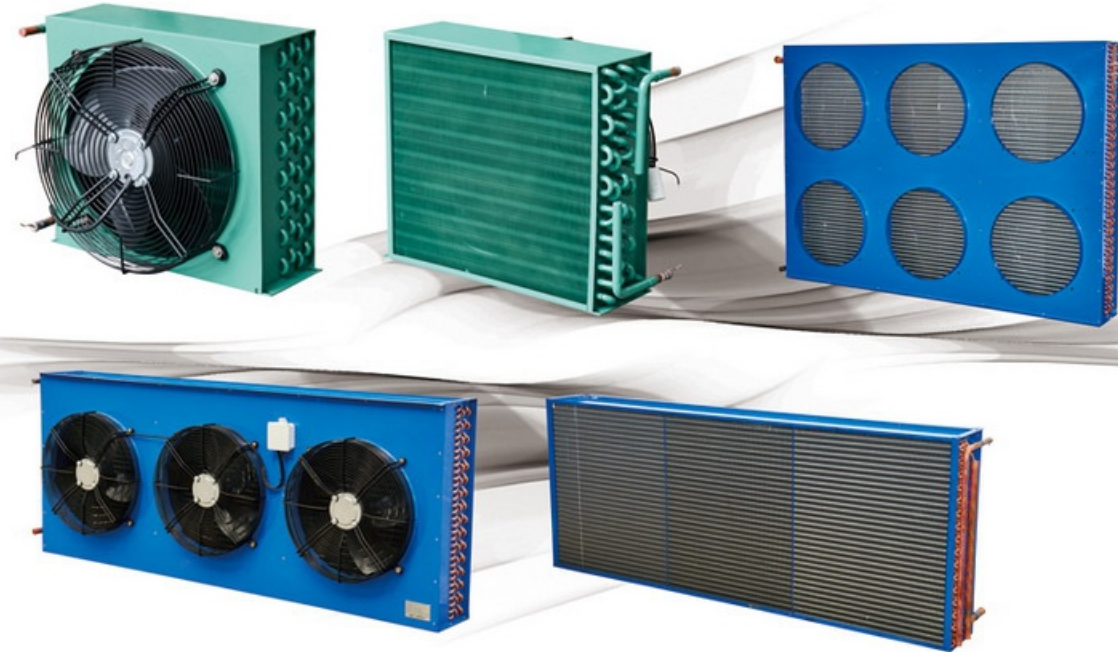
测试工况：
进风温度：35℃
冷凝温度：50℃ (15 KTD)

Testing condition:
Inlet air temperature: 35℃
Condensing temperature: 50℃ (15 KTD)

型号说明

Products characteristics





产品特点

Products characteristics

- 采用高效能换热盘管以及高效翅片，管内清洗处理内部清洁、干燥。
- 铝翅片冲孔为“L”行延伸翻片，胀管后接触紧密换热效率高。
- 外壳经过喷塑处理，耐腐蚀。支撑板多折边设计防震性能好。
- 可选EBM，微光等国内外知名品牌风机，高效率，低噪音，大风量。

- Adopt high efficiency heat exchange coil with aluminum fins, clean and dry inside copper tube.
- Aluminum fin punching is an extension flap of "L" row, so heat exchange efficiency is very high after expansion.
- Overall shell make spraying treatment and corrosion resistance, Support with multi-flanging design have perfect vibration resistance.
- Axial fan motor can be chose by EBM or Chinese famous brand: High efficiency, low noise, large air volume.

FNF 系列技术参数

FNF Series Technical Specification

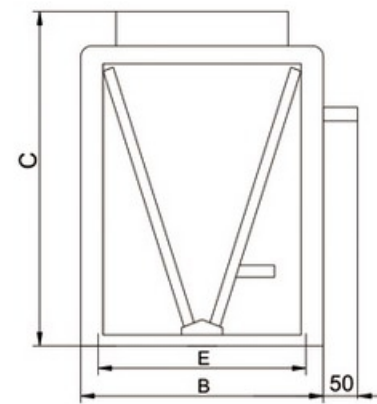
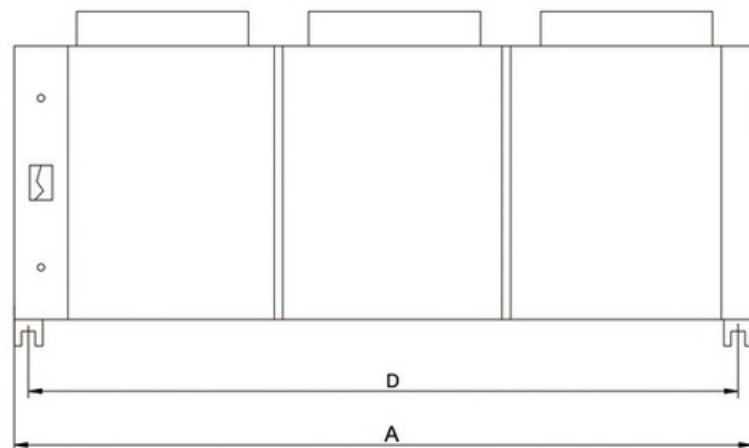
型号 Model	名义排热量 Refrigerating capacity W	换热面积 Heat exchange area m ²	排管 Wreath Row 规格	电机 Fan Motor				进管 Inlet mm	出管 Outlet mm	外型尺寸 Overall Dimension mm
				功率 Power W	电压 Voltage V	风量 Air Volume m ³ /h	直径 Diameter mm			
FNF-0.6/2.0	600	2	2×8	40	220	530	200	10	10	320×100×230
FNF-0.9/3.4	900	3.4	3×8	40	220	530	200	10	10	320×120×230
FNF-1.3/4.4	1300	4.4	3×10	50	220	730	250	10	10	370×120×280
				60	380	770				
FNF-1.6/5.7	1600	5.7	4×10	50	220	730	250	10	10	370×140×280
				60	380	770				
FNF-1.8/6.2	1800	6.2	3×12	85	220	1664	300	12	12	440×120×330
				75	380	1563				
FNF-2.2/8.2	2200	8.2	4×12	85	220	1664	300	12	12	440×120×330
				75	380	1563				
FNF-2.9/10	2900	10	3×16	140	220	2270	350	16	12	515×150×430
				140	380	2290				
FNF-3.8/13.3	3800	13.3	4×16	140	220	2270	350	16	12	515×170×430
				140	380	2290				
FNF-4.3/15	4300	15	4×18	140	220	2270	350	16	12	515×170×480
				140	380	2290				
FNF-5.2/18	5200	18	3×16	2×85	220	3328	2×300	16	12	840×180×430
				2×75	380	3126				
FNF-5.3/18.5	5300	18.5	4×20	180	220	3541	400	19	16	565×180×530
				180	380	3400				
FNF-6.0/21	6000	21	4×20	180	220	3541	400	19	16	615×180×530
				180	380	3400				
FNF-7.0/24.5	7000	24.5	5×20	180	220	3541	400	19	16	590×200×530
				180	380	3400				
FNF-7.3/25	7300	25	4×16	2×140	220	4540	2×350	19	16	900×180×430
				2×140	380	4580				
FNF-8.8/30	8800	30	3×23	2×180	220	7082	2×400	22	16	1000×180×615
				2×180	380	6800				
FNF-10.2/35	10200	35	5×18	2×140	220	4540	2×350	19	16	900×200×480
				2×140	380	4580				
FNF-10.8/39	10800	39	4×22	2×180	220	7082	2×400	22	16	1000×180×580
				2×180	380	6800				
FNF-14.0/49	14000	49	5×22	2×180	220	7082	2×400	22	16	1000×200×580
				2×180	380	6800				
FNF-15.2/53	15200	53	5×24	2×180	220	7082	2×400	22	16	1000×200×630
				2×180	380	6800				
FNF-19.0/63	19000	63	6×24	2×180	220	7082	2×400	22	16	1000×220×630
				2×180	380	6800				
FNF-20.3/70	20300	70	4×32	4×140	220	9080	4×350	22	19	1230×200×830
				4×140	380	9160				
FNF-23.2/80	23200	80	4×36	4×140	220	9080	4×350	22	19	1230×200×930
				4×140	380	9160				
FNF-24.2/88	24200	88	5×40	4×180	220	14164	4×400	25	19	1000×220×1030
				4×180	380	13600				
FNF-28.5/100	28500	100	4×44	4×180	220	14164	4×400	25	22	1230×200×1130
				4×180	380	13600				
FNF-29/105	29000	105	6×40	4×180	220	14164	4×400	25	22	1000×220×1030
				4×180	380	13600				
FNF-37.8/130	37800	130	4×54	4×180	220	14164	4×400	25	22	1230×220×1380
				4×180	380	13600				
FNF-43.5/150	43500	150	5×52	4×420	220	17180	4×450	25	22	1230×250×1330
				4×450	380	17344				
FNF-53/180	53000	180	6×52	4×420	220	25680	4×500	28	25	1230×270×1330
				4×450	380	26280				
FNF-64.0/220	64000	220	6×48	6×180	220	21246	6×400	32	25	1720×255×1230
				6×180	380	20400				
FNF-78.0/260	78000	260	6×52	6×300	220	25770	6×450	32	25	1840×270×1330
				6×300	380	26016				
FNF-92.8/320	92800	320	6×52	6×420	220	38520	6×500	38	28	2200×270×1330
				6×450	380	39420				



产品特点

Products characteristics

- 采用高效能换热盘管以及高效翅片，管内清洗处理内部清洁、干燥。
- 铝翅片冲孔为“L”行延伸翻片，胀管后接触紧密换热效率高。
- 外壳经过喷塑处理，耐腐蚀，支撑板多折边设计防震性能好。
- 可选EBM，微光等国内外知名品牌风机，高效率，低噪音，大风量。
- Adopt high efficiency heat exchange coil with aluminum fins, clean and dry inside copper tube.
- Aluminum fin punching is an extension flap of "L" row, so heat exchange efficiency is very high after expansion.
- Overall shell make spraying treatment and corrosion resistance, Support with multi-flanging design have perfect vibration resistance.
- Axial fan motor can be chose by EBM or Chinese famous brand: High efficiency, low noise, large air volume.



技术参数

Technical parameter

型号 Model	名义 换热容量 Capacity	换热 面积 Heat exchange area	外形 尺寸 Overall Dimension AxBxC	安装 尺寸 Installation Dimension DxE	风机 Fan Motor					连接管直径 Connection Pipe Diameter		重量 Weight
					数目 Quantity	直径 Diameter	风量 Air Flow	电机 功率 Power	电机 电压 Voltage	进液管 Inlet	回气管 Outlet	
FNV-25/87	25000	87	1150x715x850	1110x620	2	400	2x4235	190	380	25	19	100
FNV-32/107	32000	107	1200x770x950	1160x675	2	400	2x4235	190	380	25	19	120
FNV-49/165	48000	165	1500x890x1040	1460x785	2	500	2x8500	520	380	25	19	180
FNV-57/192	57000	192	2000x770x960	1960x675	3	500	3x8500	520	380	28	22	210
FNV-65/219	65000	219	2000x890x1040	1960x785	3	500	3x8500	520	380	28	22	240
FNV-80/271	80000	271	2420x890x1050	2380x785	3	550	3x9800	550	380	28	22	280
FNV-93/311	93000	311	2240x935x1050	2200x830	3	600	3x1100	710	380	32	25	300

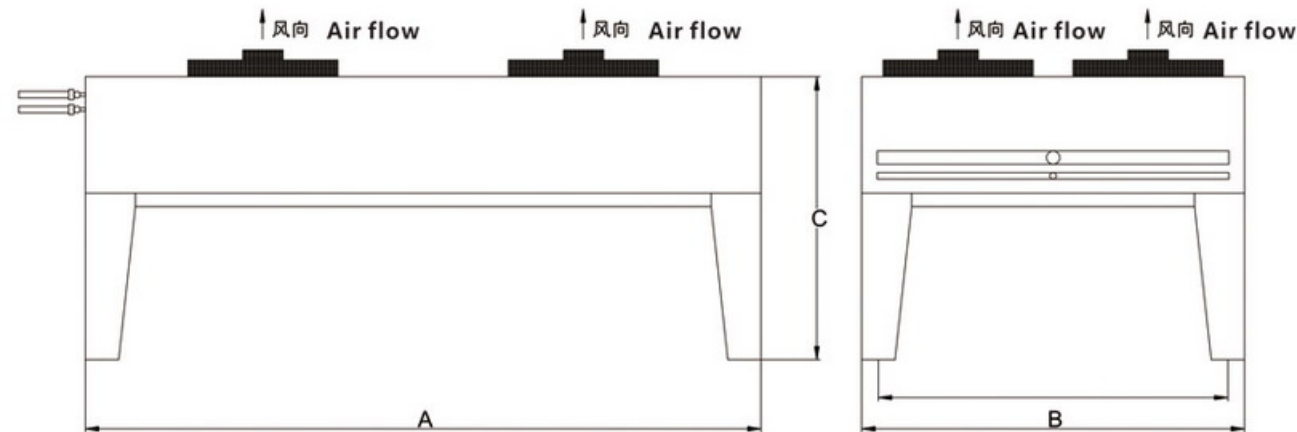




产品特点

Products characteristics

- 吸收国外先进技术，专为商用冷冻和环境优化而设计。
- 同时采用高效铜管以及高效翅片，换热效率高。
- FNH冷凝器迎风面积大，迎风侧风速均匀，换热效果好。
- 钣金表面均经过喷塑处理，外形美观大气。
- Absorption advanced technology from the world, designed for commercial refrigeration and environmental optimization.
- Adopting high efficiency copper tube and aluminum fins, with very high efficiency heat exchange.
- FNH condenser has large windward area, even windward wind speed and high heat exchange efficiency.
- Shell metal is treated by spraying, nice and practical appearance.



技术参数

Technical parameter

型号 Model	名义 换热量 Capacity	冷却面积 Area	风机 Fan Motor					进液管 Inlet	回气管 Outlet	外形尺寸(mm) Overall Size		
			数量 Quantity	直径 Diameter	电机 功率 Power	电压 Voltage	风量 Air Flow			A	B	C
			pcs	mm	W	V	m ³ /h			mm	mm	mm
FNH-62.9/200	62900	200	2	Φ550	2x931	380	2x11200	Φ32	Φ22	2340	1120	1000
FNH-76.3/250	76300	250	2	Φ630	2x1012	380	2x12700	Φ32	Φ22	2440	1120	1000
FNH-95.7/300	95700	300	3	Φ550	3x931	380	3x11200	Φ42	Φ28	2870	1120	1000
FNH-106.8/350	106800	350	3	Φ630	3x1012	380	3x12700	Φ42	Φ28	2870	1120	1000
FNH-125.8/400	125800	400	4	Φ600	4x783	380	4x10200	Φ42	Φ28	2500	1720	1000
FNH-137.6/450	137600	450	4	Φ630	4x1012	380	4x12700	Φ50	Φ35	2500	1720	1000
FNH-150/500	150000	500	4	Φ630	4x1012	380	4x12700	Φ50	Φ35	2640	2020	1000
FNH-173.3/550	173300	550	4	Φ630	4x1338	380	4x13500	Φ50	Φ35	2640	2020	1000
FNH-183/600	183000	600	4	Φ710	4x1862	380	4x16300	Φ50	Φ35	2940	2120	1000
FNH-204.8/650	204800	650	4	Φ710	4x1862	380	4x16300	Φ50	Φ35	2940	2120	1000
FNH-213.5/700	213500	700	6	Φ630	6x1012	380	6x12700	Φ50	Φ35	3200	2220	1000
FNH-225/750	225000	750	6	Φ630	6x1012	380	6x12700	Φ50	Φ54	3200	2220	1000
FNH-240/800	240000	800	6	Φ630	6x1442	380	6x14200	Φ67	Φ42	3040	2020	1000
FNH-255/850	255000	850	6	Φ630	6x1442	380	6x14200	Φ67	Φ42	3040	2020	1000
FNH-270/900	270000	900	6	Φ710	6x1862	380	6x16300	Φ67	Φ42	3120	2220	1000
FNH-285/950	285000	950	6	Φ710	6x1862	380	4x16300	Φ67	Φ42	3270	2220	1000
FNH-300/1000	300000	1000	6	Φ800	6x1447	380	4x16800	Φ67	Φ42	3415	2220	1000

箱式机组 BOX TYPE CONDENSING UNITS

√ 低耗高效 √ 可控温度 √ 时尚外观

ZL C L F 12 M Y

ZL: 中力牌
ZL: Com-Energy brand

压缩机品牌, C: 谷轮, B: 比泽尔, T: 泰康, D: 丹佛斯
Compressor brand, C: Copeland, B: Bitzer, T: Tecumseh, D: Danfoss

外形结构, L: 箱式, C: 敞开式
L: Box type, C: Opend type

压缩机种类, A: 谷轮ZF, B: 谷轮
ZFI, C: 比泽尔双级压缩机

使用工况, H: 高温, M: 中温, L: 低温
H: High temp, M: Medium temp, L: Low temp

机组名义功率
12: Horse power

冷凝器种类, F: 风冷, S: 水冷, N: 不带冷凝器
F: Air cooled, S: water cooled, N: Without condenser

压缩机品牌, Y: 英华特, X: 雪鹰, M: 麦迪直流压缩机,
R: 莱富康, F: 复盛, E: 恩布拉克, U: 美优乐



- * LOW ENERGY CONSUMPTION
- * HIGH EFFICIENCY
- * CONTROLLABLE TEMPERATURE
- * RUGGED DESIGN AND CONSTRUCTION
- * AESTHETICALLY PLEASING APPEARANCE

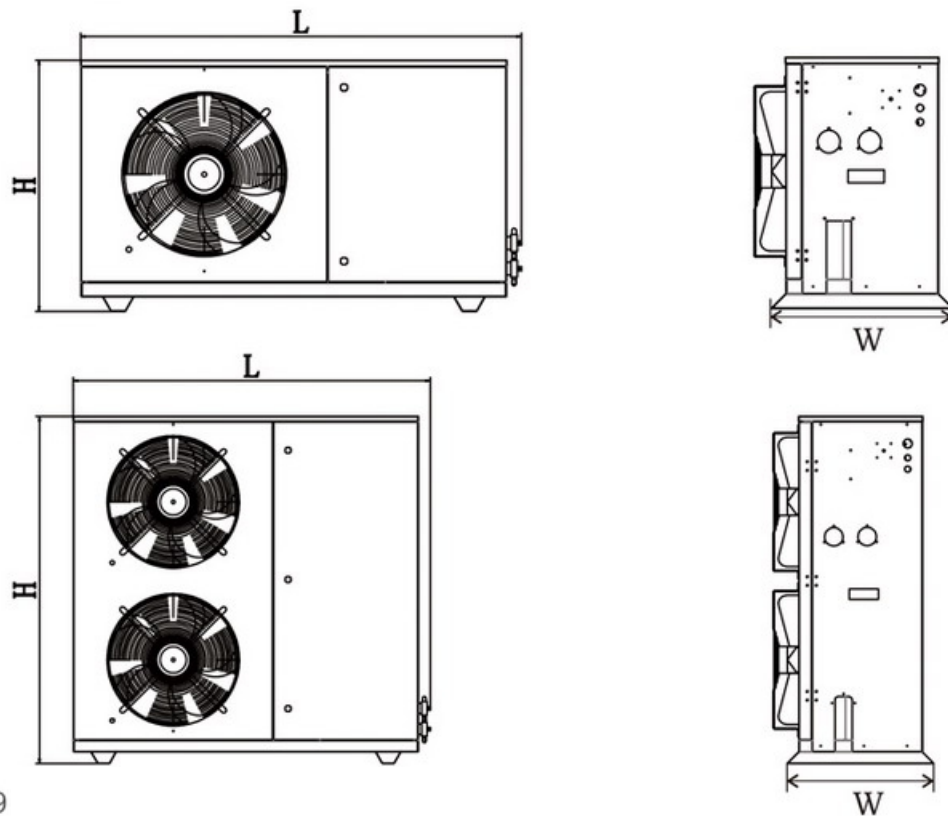




A款 Type A

外形尺寸示意图

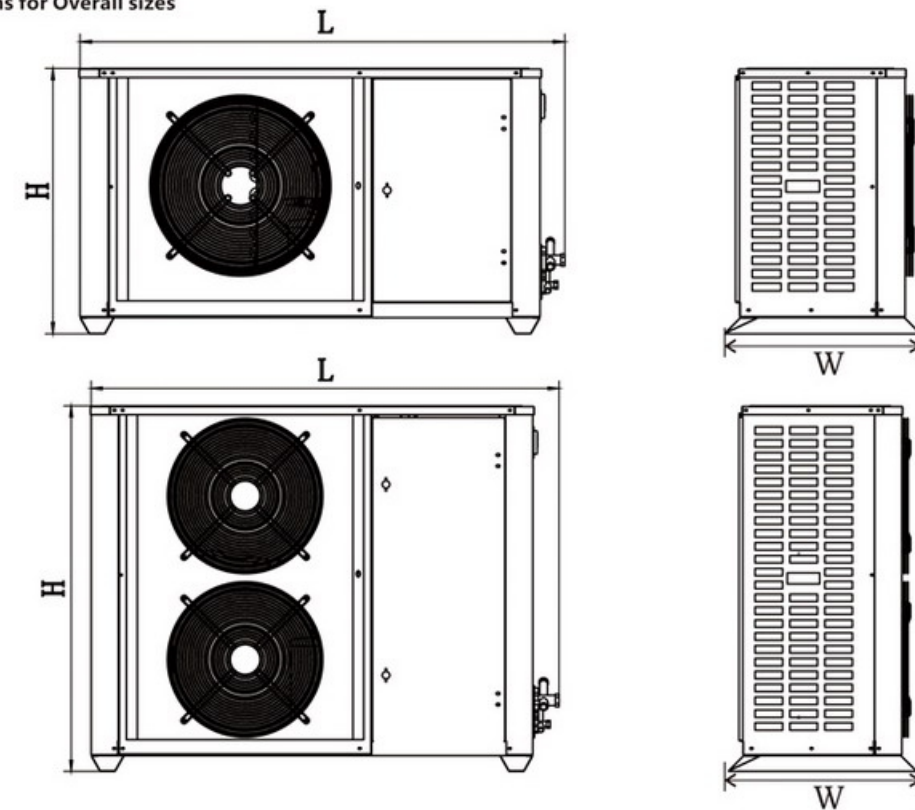
Diagrams for Overall sizes



B款 Type B

外形尺寸示意图

Diagrams for Overall sizes

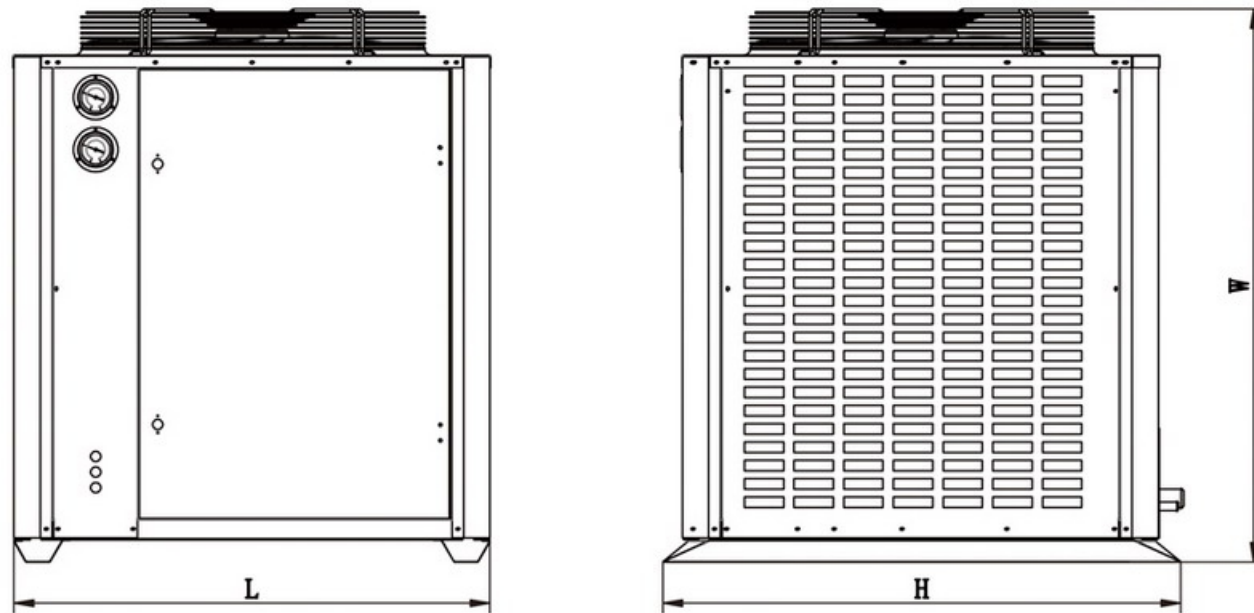




C款 Type C

外形尺寸示意图

Diagrams for Overall sizes



产品特点

Products characteristics

箱式机组是一款整体型的室外型风冷机组，结构紧凑，外形美观，选用国际品牌制冷压缩机：谷轮ZB、ZSI、ZFI、ZF、丹佛斯、英华特等。按出风方式可分为顶出风，侧出风两种，分A款、B款、C款三种。

产品优点：

- L型箱式机组冷凝器采用高效铜管，传热效果好，空气阻力小。
- 钣金采用钢板，并经喷塑处理，结实防腐，整体结构紧凑，安装灵活方便，不占特定的安装空间。
- B款、C款为可开启式，方便维修检查，进出管接口采用焊口或螺纹连接，可自由选择。
- 适用于各种高、中、低温库、陈列展示柜、工业设备、酒店、厨房、电子化工等各行业。

It is an integrated outdoor air-cooled units, compact structure, nice appearance. Selectable popular brand compressor: Copeland ZB,ZSI, ZFI, ZF, Danfoss, Chinese scroll etc.

According to air blow direction can be classify two types :side and top blowing, each type has A,B,C three models.

Advantages:

- Condenser adopt L design with high efficiency copper pipe, which perfect heat exchange and low air resistance.
- Shell metal adopt steel plate with spraying treatment, strong anti-corrosion, compact overall structure, convenient installation, space saving.
- Open type B and C are convenient for maintenance and inspection, the connector of the inlet and outlet pipe is optional with weld and screw.
- Suitable for high, medium and low temperature libraries, display cabinets, industrial equipment, hotels, kitchens, electronic chemical and other industries.



谷轮ZB箱式压缩机组

Copeland ZB compressor Units Series

型号 Model		ZLCLF02H	ZLCLF03H	ZLCLF04H	ZLCLF05H	
压缩机型号 Compressor model		ZB15KQE	ZB21KQE	ZB29KQE	ZB38KQE	
出风方式 Type		Side blow	Side blow	Side blow	Side blow	
适用温度 Temperature(°C)		-20°C - +5°C				
制冷剂 Refrigerant		R404A				
电源 Power supply		380V/3PH/50Hz				
冷凝器 Condenser	风机直径 Fan Qty *Dia (mm)	1×450	1×450	2×400	2×400	
	风量 Air Flow(m³/h)	1×5100	1×5100	2×3900	2×3900	
	功率 Power of Fan(W)	1*250	1*250	2*180	2*180	
	电源 Fan voltage	220V/1PH/50Hz				
	换热量 capacity (KW)	6.3	9.1	11.1	13.6	
压缩机参数 Compressor Capacity	Evaporating Tempe -5°C	冷量 Cooling capacity(W)	3600	5500	7450	9400
		功率 Input(KW)	2.25	3	4.1	5.1
	Evaporating Tempe -10°C	冷量 Cooling capacity(W)	2950	4550	6200	7800
		功率 Input(KW)	2.35	3	4.1	5.1
	Evaporating Tempe -15°C	冷量 Cooling capacity(W)	2400	3750	5100	6450
		功率 Input(KW)	2.4	3.1	4.12	5.1
	Evaporating Tempe -20°C	冷量 Cooling capacity(W)	1850	3100	4150	5250
		功率 Input(KW)	2.5	3.1	4.2	5.1
接口 Pipe	回气管 Suction inlet(mm)	3/4 "	3/4 "	7/8 "	7/8 "	
	排气管 Liquid Dia (mm)	3/8 "	1/2 "	1/2 "	1/2 "	
外形尺寸 Overall Dimension L*W*H (mm)		1300×560×690	1300×560×690	1300×560×990	1300×560×990	

注: 冷凝温度=50°C, 过冷度=0K, Condensing temperature 50°C, subcooling 0K

型号 Model		ZLCLF06H	ZLCLF07H	ZLCLF08H	ZLCLF10H	ZLCLF15H	
压缩机型号 Compressor model		ZB45KQE	ZB48KQE	ZB58KQE	ZB76KQE	ZB114KQE	
出风方式 Type		Side blow	Side blow	Side blow	Top blow	Top blow	
适用温度 Temperature(°C)		-20°C - +5°C					
制冷剂 Refrigerant		R404A					
电源 Power supply		380V/3PH/50Hz					
冷凝器 Condenser	风机直径 Fan Qty *Dia (mm)	2×400	2×400	2×450	1×630	2×550	
	风量 Air Flow(m³/h)	2×3900	2×3900	2×5100	1×13000	2×8500	
	功率 Power of Fan(W)	2*180	2*180	2*250	860	2*650	
	电源 Fan voltage	220V/1PH/50Hz			380V/3PH/50Hz		
	换热量 capacity (KW)	16.2	17.8	24.1	30.6	45.8	
压缩机参数 Compressor Capacity	Evaporating Tempe -5°C	冷量 Cooling capacity(W)	11000	12050	14600	16350	28200
		功率 Input(KW)	5.7	6.2	7.6	8.4	14.15
	Evaporating Tempe -10°C	冷量 Cooling capacity(W)	9150	10050	12000	13650	23000
		功率 Input(KW)	5.7	6.2	7.6	8.7	14.15
	Evaporating Tempe -15°C	冷量 Cooling capacity(W)	7550	8300	9650	11250	18250
		功率 Input(KW)	5.7	6.3	7.62	8.7	14.2
	Evaporating Tempe -20°C	冷量 Cooling capacity(W)	6150	6750	7400	9100	
		功率 Input(KW)	5.7	6.3	7.7	8.7	
接口 Pipe	回气管 Suction inlet(mm)	7/8 "	7/8 "	1-1/8 "	1-1/8 "	1-5/8 "	
	排气管 Liquid Dia (mm)	1/2 "	1/2 "	5/8 "	5/8 "	7/8 "	
外形尺寸 Overall Dimension L*W*H (mm)		1300×560×990	1300×560×990	1300×560×1190	1000×900×1060	1500×900×1100	

注: 冷凝温度=50°C, 过冷度=0K, Condensing temperature 50°C, subcooling 0K

谷轮ZFI箱式压缩机组

Copeland ZFI compressor Units Series

型号 Model		ZLCLF04LB	ZLCLF06LB	ZLCLF08LB	ZLCLF10LB	ZLCLF15LB	
压缩机型号 Compressor model		ZFI20KQE	ZFI26KQE	ZFI36KQE	ZFI50KQE	ZFI68KQE	
出风方式 Type		Side blow	Side blow	Side Blow	Top blow	Top blow	
适用温度 Temperature(°C)		-40°C - -5°C					
制冷剂 Refrigerant		R404A					
电源 Power supply		380V/3PH/50Hz					
冷凝器 Condenser	风机直径 Fan Qty *Dia (mm)	2×400	2×400	2×450	1×630	2×550	
	风量 Air Flow(m³/h)	2×3900	2×3900	2×5100	1×13000	2×8500	
	功率 Power of Fan(W)	2*180	2*180	2*250	1*860	2*650	
	电源 Fan voltage	220V/1PH/50Hz			380V/3PH/50Hz		
	换热量 capacity (KW)	11.1	16.2	24.1	30.6	45.8	
压缩机参数 Compressor Capacity	Evaporating Tempe -10°C	冷量 Cooling capacity(W)	9730	13700	16540	22910	
		功率 Input(KW)	4.26	6.36	8.2	10.86	
	Evaporating Tempe -20°C	冷量 Cooling capacity(W)	6800	9840	12260	16790	23200
		功率 Input(KW)	4.11	6.1	7.6	10	14.1
	Evaporating Tempe -30°C	冷量 Cooling capacity(W)	4590	7030	8820	11680	16140
		功率 Input(KW)	3.98	5.6	6.8	9.36	13
	Evaporating Tempe -40°C	冷量 Cooling capacity(W)	2920	5080	6240	8040	11120
		功率 Input(KW)	3.9	5.1	5.7	8.1	11.6
接口 Pipe	回气管 Suction inlet(mm)	7/8 "	7/8 "	7/8 "	1-3/8 "	1-3/8 "	
	排气管 Liquid Dia (mm)	1/2 "	1/2 "	1/2 "	5/8 "	7/8 "	
外形尺寸 Overall Dimension L*W*H (mm)		1300×560×990	1300×560×990	1300×560×1190	1000×900×1060	1500×900×1100	

注: 冷凝温度=50°C, 过冷度=0K, Condensing temperature 50°C, subcooling 0K

谷轮ZSI箱式压缩机组

Copeland ZSI compressor Units Series

型号 Model		ZLCLF02M	ZLCLF03M	ZLCLF04M	ZLCLF05M	ZLCLF06M	ZLCLF07M	
压缩机型号 Compressor model		ZSI06KQE	ZSI09KQE	ZSI14KQE	ZSI15KQE	ZSI18KQE	ZSI21KQE	
出风方式 Type		Side blow	Side blow	Side blow	Side blow	Side blow	Side blow	
适用温度 Temperature(°C)		-30°C - 0°C						
制冷剂 Refrigerant		R404A						
电源 Power supply		380V/3PH/50Hz						
冷凝器 Condenser	风机直径 Fan Qty *Dia (mm)	1×450	1×450	2×400	2×400	2×400	2×400	
	风量 Air Flow(m³/h)	1×5100	1×5100	2×3900	2×3900	2×3900	2×3900	
	功率 Power of Fan(W)	1*250	1*250	2*180	2*180	2*180	2*180	
	电源 Fan voltage	220V/1PH/50Hz			380V/3PH/50Hz			
	换热量 capacity (KW)	6.3	9.1	11.1	13.6	16.2	17.8	
压缩机参数 Compressor Capacity	Evaporating Tempe -5°C	冷量 Cooling capacity(W)	3860	5120	8460	9490	10390	12880
		功率 Input(KW)	2.3	2.8	4.22	4.73	5.68	6.25
	Evaporating Tempe -10°C	冷量 Cooling capacity(W)	3190	4270	7030	7940	9640	10800
		功率 Input(KW)	2.2	2.78	8.3	4.6	5.57	6
	Evaporating Tempe -20°C	冷量 Cooling capacity(W)	2110	2890	4740	5530	6630	7400
		功率 Input(KW)	2.65	2.75	3.9	4.3	5.22	6
	Evaporating Tempe -30°C	冷量 Cooling capacity(W)	1340	1800	3070	3550	4380	4910
		功率 Input(KW)	2	2.75	3.7	4	5	5.5
接口 Pipe	回气管 Suction inlet(mm)	3/4 "	3/4 "	7/8 "	7/8 "	7/8 "	7/8 "	
	排气管 Liquid Dia (mm)	3/8 "	1/2 "	1/2 "	1/2 "	1/2 "	1/2 "	
外形尺寸 Overall Dimension L*W*H (mm)		1300×560×690	1300×560×690	1300×560×990	1300×560×990	1300×560×990	1300×560×990	

注: 冷凝温度=50°C, 过冷度=0K, Condensing temperature 50°C, subcooling 0K

谷轮ZF箱式压缩机组

Copeland ZF compressor Units Series

型号 Model		ZLCLF02LA	ZLCLF03LA	ZLCLF04LA	ZLCLF05LA	
压缩机型号 Compressor model		ZF06KQE	ZF09KQE	ZF13KQE	ZF15KQE	
出风方式 Type		Side blow	Side blow	Side blow	Side blow	
适用温度 Temperature(°C)		-40°C - 0°C				
制冷剂 Refrigerant		R404A				
电源 Power supply		380V/3PH/50Hz				
冷凝器 Condenser	风机直径 Fan Qty *Dia (mm)	1×450	1×450	2×400	2×400	
	风量 Air Flow(m³/h)	1×5100	1×5100	2×3900	2×3900	
	功率 Power of Fan(W)	1*250	1*250	2*180	2*180	
	电源 Fan voltage	220V/1PH/50Hz				
	换热量 capacity (KW)	6.3	9.1	11.1	13.6	
压缩机参数 Compressor Capacity	Evaporating Tempe -5°C	冷量 Cooling capacity(W)	3870	5270	7700	9410
		功率 Input(KW)	2.3	2.8	3.8	4.8
	Evaporating Tempe -15°C	冷量 Cooling capacity(W)	2710	3690	5350	6530
		功率 Input(KW)	2.2	2.6	3.5	4.4
	Evaporating Tempe -25°C	冷量 Cooling capacity(W)	1850	2520	3620	4440
		功率 Input(KW)	2.1	2.5	3.4	4.1
	Evaporating Tempe -35°C	冷量 Cooling capacity(W)	1220	1670	2400	2950
		功率 Input(KW)	2	2.4	3.2	3.8
接口 Pipe	回气管 Suction inlet(mm)	3/4 "	3/4 "	7/8 "	7/8 "	
	排气管 Liquid Dia (mm)	3/8 "	1/2 "	1/2 "	1/2 "	
外形尺寸 Overall Dimension L*W*H (mm)		1300×560×690	1300×560×690	1300×560×990	1300×560×990	

注: 冷凝温度=50°C, 过冷度=0K, Condensing temperature 50°C, subcooling 0K

型号 Model		ZLCLF06LA	ZLCLF07LA	ZLCLF10LA	ZLCLF15LA	
压缩机型号 Compressor model		ZF18KQE	ZF25KQE	ZF34KQE	ZF49KQE	
出风方式 Type		Side blow	Side blow	Top blow	Top blow	
适用温度 Temperature(°C)		-40°C - 0°C				
制冷剂 Refrigerant		R404A				
电源 Power supply		380V/3PH/50Hz				
冷凝器 Condenser	风机直径 Fan Qty *Dia (mm)	2×400	2×400	1×630	2×550	
	风量 Air Flow(m³/h)	2×3900	2×3900	1×13000	2×8500	
	功率 Power of Fan(W)	2*180	2*180	860	2*650	
	电源 Fan voltage	220V/1PH/50Hz		380V/3PH/50Hz		
	换热量 capacity (KW)	16.2	17.8	30.6	45.8	
压缩机参数 Compressor Capacity	Evaporating Tempe -5°C	冷量 Cooling capacity(W)	11250	13820	18580	
		功率 Input(KW)	5.1	7.2	9	
	Evaporating Tempe -10°C	冷量 Cooling capacity(W)	7830	9960	13010	
		功率 Input(KW)	4.9	5.8	8.3	
	Evaporating Tempe -25°C	冷量 Cooling capacity(W)	5370	6790	8900	13270
		功率 Input(KW)	4.7	5.4	7.6	11.27
	Evaporating Tempe -35°C	冷量 Cooling capacity(W)	3570	4450	5790	8660
		功率 Input(KW)	4.4	4.67	6.8	10.37
接口 Pipe	回气管 Suction inlet(mm)	7/8 "	7/8 "	1-3/8 "	1-3/8 "	
	排气管 Liquid Dia (mm)	1/2 "	1/2 "	5/8 "	7/8 "	
外形尺寸 Overall Dimension L*W*H (mm)		1300×560×990	1300×560×990	1000×900×1060	1500×900×1100	

注: 冷凝温度=50°C, 过冷度=0K, Condensing temperature 50°C, subcooling 0K

丹佛斯箱式压缩机组

Danfoss MLZ compressor Units Series

型号 Model		ZLDLF02H	ZLDLF03H	ZLDLF04H	ZLDLF05H	
压缩机型号 Compressor model		MLZ015	MLZ021	MLZ030	MLZ038	
出风方式 Type		Side blow	Side blow	Side blow	Side blow	
适用温度 Temperature(°C)		-20°C - +5°C				
制冷剂 Refrigerant		R404A				
电源 Power supply		380V/3PH/50Hz				
冷凝器 Condenser	风机直径 Fan Qty *Dia (mm)	1×450	1×450	2×400	2×400	
	风量 Air Flow(m³/h)	1×5100	1×5100	2×3900	2×3900	
	功率 Power of Fan(W)	1*250	1*250	2*180	2*180	
	电源 Fan voltage	220V/1PH/50Hz				
	换热量 capacity (KW)	6.3	9.1	11.1	13.6	
压缩机参数 Compressor Capacity	Evaporating Tempe -5°C	冷量 Cooling capacity(W)	3600	5100	7700	9200
		功率 Input(KW)	2.15	2.75	4	4.7
	Evaporating Tempe -10°C	冷量 Cooling capacity(W)	2900	4300	6400	7700
		功率 Input(KW)	2.25	2.85	4	4.7
	Evaporating Tempe -15°C	冷量 Cooling capacity(W)	2400	3500	5300	6300
		功率 Input(KW)	2.25	2.75	4	4.7
	Evaporating Tempe -20°C	冷量 Cooling capacity(W)	1800	2900	4300	5100
		功率 Input(KW)	2.35	2.75	4.1	4.86
接口 Pipe	回气管 Suction inlet(mm)	3/4 "	3/4 "	7/8 "	7/8 "	
	排气管 Liquid Dia (mm)	3/8 "	1/2 "	1/2 "	1/2 "	
外形尺寸 Overall Dimension L*W*H (mm)		1300×560×690	1300×560×690	1300×560×990	1300×560×990	

注: 冷凝温度=50°C, 过冷度=0K, Condensing temperature 50°C, subcooling 0K

型号 Model		ZLDLF06H	ZLDLF07H	ZLDLF08H	ZLDLF10H	
压缩机型号 Compressor model		MLZ045	MLZ048	MLZ058	MLZ076	
出风方式 Type		Side blow	Side blow	Side Blow	Top blow	
适用温度 Temperature(°C)		-20°C - +5°C				
制冷剂 Refrigerant		R404A				
电源 Power supply		380V/3PH/50Hz				
冷凝器 Condenser	风机直径 Fan Qty *Dia (mm)	2×400	2×400	2×450	1×630	
	风量 Air Flow(m³/h)	2×3900	2×3900	2×5100	1×13000	
	功率 Power of Fan(W)	2*180	2*180	2*250	860	
	电源 Fan voltage	220V/1PH/50Hz		380V/3PH/50Hz		
	换热量 capacity (KW)	16.2	17.8	24.1	30.6	
压缩机参数 Compressor Capacity	Evaporating Tempe -5°C	冷量 Cooling capacity(W)	11100	12100	14000	18300
		功率 Input(KW)	5.76	6.16	7.4	9.76
	Evaporating Tempe -10°C	冷量 Cooling capacity(W)	9200	10100	11300	15400
		功率 Input(KW)	5.76	6.16	7.5	9.66
	Evaporating Tempe -15°C	冷量 Cooling capacity(W)	7600	8300	9000	13000
		功率 Input(KW)	5.76	6.16	7.7	9.56
	Evaporating Tempe -20°C	冷量 Cooling capacity(W)	6200	6800	7100	11000
		功率 Input(KW)	5.85	6.1	7.7	9.5
接口 Pipe	回气管 Suction inlet(mm)	7/8 "	7/8 "	1-1/8 "	1-1/8 "	
	排气管 Liquid Dia (mm)	1/2 "	1/2 "	5/8 "	5/8 "	
外形尺寸 Overall Dimension L*W*H (mm)		1300×560×990	1300×560×990	1300×560×1190	1000×900×1060	

注: 冷凝温度=50°C, 过冷度=0K, Condensing temperature 50°C, subcooling 0K

英华特压缩机箱式机组

YM compressor Units Series

380V-3ph-50HZ

型号 Model		ZLYWF02M	ZLYWF03M	ZLYWF04M	ZLYWF05M	
压缩机型号 Compressor model		YM34E1G-100	YM43E1G-100	YM70E1G-100	YM86E1G-100	
出风方式 Type		Side blow	Side blow	Side blow	Side blow	
适用温度 Temperature(°C)		- 30°C - + 10°C				
制冷剂 Refrigerant		R404A				
电源 Power supply		380V/3PH/50Hz				
冷凝器 Condenser	风机直径 Fan Qty *Dia (mm)	1×450	1×450	2×400	2×400	
	风量 Air Flow(m³/h)	1×5100	1×5100	2×3900	2×3900	
	功率 Power of Fan(W)	1*250	1*250	2*180	2*180	
	电源 Fan voltage	220V/1PH/50Hz				
	换热量 capacity (KW)	6.3	9.1	11.1	13.6	
压缩机参数 Compressor Capacity	Evaporating Tempe 0°C	冷量 Cooling capacity(W)	4981	6226	9685	11898
		功率 Input(KW)	2	2.6	3.9	4.6
	Evaporating Tempe -10°C	冷量 Cooling capacity(W)	3061	3926	5951	7311
		功率 Input(KW)	2.1	2.6	3.9	4.6
	Evaporating Tempe -20°C	冷量 Cooling capacity(W)	1883	2354	3662	4499
		功率 Input(KW)	2	2.3	4	4.6
	Evaporating Tempe -30°C	冷量 Cooling capacity(W)	1520	1900	2956	3632
		功率 Input(KW)	1.8	2.1	3.3	3.9
接口 Pipe	回气管 Suction inlet(mm)	7/8 "	7/8 "	7/8 "	7/8 "	
	排气管 Liquid Dia (mm)	1/2 "	1/2 "	1/2 "	1/2 "	
外形尺寸 Overall Dimension L*W*H (mm)		1300×560×690	1300×560×690	1300×560×990	1300×560×990	

注: 冷凝温度=50°C, 过冷度=0K, Condensing temperature 50°C, subcooling 0K

型号 Model		ZLYWF06M	ZLYWF07M	ZLYWF08M	ZLYWF10M	ZLYWF15M	
压缩机型号 Compressor model		YM102E1G-100	YM125E1G-100	YM132E1G-100	YM182E1G-100	YM260E1G-100	
出风方式 Type		Side blow	Side blow	Side BLow	Up blow	Up blow	
适用温度 Temperature(°C)		- 30°C - + 10°C					
制冷剂 Refrigerant		R404A					
电源 Power supply		380V/3PH/50Hz					
冷凝器 Condenser	风机直径 Fan Qty *Dia (mm)	2×400	2×400	2×450	1×630	2×550	
	风量 Air Flow(m³/h)	2×3900	2×3900	2×5100	1×13000	2×8500	
	功率 Power of Fan(W)	2*180	2*180	2*250	860	2*650	
	电源 Fan voltage	220V/1PH/50Hz		380V/3PH/50Hz			
	换热量 capacity (KW)	16.2	17.8	24.1	30.6	45.8	
压缩机参数 Compressor Capacity	Evaporating Tempe 0°C	冷量 Cooling capacity(W)	14112	17294	17917	23879	34468
		功率 Input(KW)	5.5	6.5	6.9	9.4	15
	Evaporating Tempe -10°C	冷量 Cooling capacity(W)	8672	10627	11010	14673	21181
		功率 Input(KW)	5.6	6.5	7	9.5	15
	Evaporating Tempe -20°C	冷量 Cooling capacity(W)	5336	6539	6775	9029	13033
		功率 Input(KW)	5.4	6.4	6.8	9.4	14.3
	Evaporating Tempe -30°C	冷量 Cooling capacity(W)	4308	5279	5469	7289	10522
		功率 Input(KW)	4.6	5.5	5.8	8	12.3
接口 Pipe	回气管 Suction inlet(mm)	7/8 "	1-1/8 "	1-1/8 "	1-1/8 "	1-1/8 "	
	排气管 Liquid Dia (mm)	1/2 "	7/8 "	7/8 "	7/8 "	7/8 "	
外形尺寸 Overall Dimension L*W*H (mm)		1300×560×990	1300×560×990	1300×560×1190	1000×900×1060	1500×900×1100	

注: 冷凝温度=50°C, 过冷度=0K, Condensing temperature 50°C, subcooling 0K

英华特压缩机箱式机组

YM compressor Units Series

220V-3ph-60HZ

型号 Model		ZLYWF02M	ZLYWF03M	ZLYWF04M	ZLYWF05M	
压缩机型号 Compressor model		YM34E7G-100	YM43E7G-100	YM70E7G-100	YM86E7G-100	
出风方式 Type		Side blow	Side blow	Side blow	Side blow	
适用温度 Temperature(°C)		- 30°C - + 10°C				
制冷剂 Refrigerant		R404A				
电源 Power supply		220V/3PH/60Hz				
冷凝器 Condenser	风机直径 Fan Qty *Dia (mm)	1×450	1×450	2×400	2×400	
	风量 Air Flow(m³/h)	1×5200	1×5200	2×4150	2×4150	
	功率 Power of Fan(W)	1*360	1*360	2*260	2*260	
	电源 Fan voltage	220V/3PH/60Hz				
	换热量 capacity (KW)	6.3	9.1	11.1	13.6	
压缩机参数 Compressor Capacity	Evaporating Tempe 0°C	冷量 Cooling capacity(W)	5976	6226	11618	14273
		功率 Input(KW)	1.8	3.1	4.8	5.7
	Evaporating Tempe -10°C	冷量 Cooling capacity(W)	3671	3926	7138	8771
		功率 Input(KW)	2.61	2.3	4.8	5.7
	Evaporating Tempe -20°C	冷量 Cooling capacity(W)	2259	2354	4392	5397
		功率 Input(KW)	2.61	3.1	4.75	5.6
	Evaporating Tempe -30°C	冷量 Cooling capacity(W)	1823	1900	3546	4357
		功率 Input(KW)	2.2	2.7	4	4.5
接口 Pipe	回气管 Suction inlet(mm)	7/8 "	7/8 "	7/8 "	7/8 "	
	排气管 Liquid Dia (mm)	3/8 "	1/2 "	1/2 "	1/2 "	
外形尺寸 Overall Dimension L*W*H (mm)		1300×560×690	1300×560×690	1300×560×990	1300×560×990	

注: 冷凝温度=50°C, 过冷度=0K, Condensing temperature 50°C, subcooling 0K

型号 Model		ZLYWF06M	ZLYWF07M	ZLYWF08M	ZLYWF10M	ZLYWF15M	
压缩机型号 Compressor model		YM102E7G-100	YM125E7G-100	YM132E7G-100	YM182E7G-100	YM260E7G-100	
出风方式 Type		Side blow	Side blow	Side BLow	Up blow	Up blow	
适用温度 Temperature(°C)		- 30°C - + 10°C					
制冷剂 Refrigerant		R404A					
电源 Power supply		220V/3PH/60Hz					
冷凝器 Condenser	风机直径 Fan Qty *Dia (mm)	2×400	2×400	2×450	1×630	2×550	
	风量 Air Flow(m³/h)	2×4150	2×4150	2×5200	1×12500	2×8750	
	功率 Power of Fan(W)	2*260	2*260	2*360	950	2*720	
	电源 Fan voltage	220V/3PH/60Hz					
	换热量 capacity (KW)	16.2	17.8	24.1	30.6	45.8	
压缩机参数 Compressor Capacity	Evaporating Tempe 0°C	冷量 Cooling capacity(W)	16929	20747	21494	28646	43882
		功率 Input(KW)	5.7	7.9	8.3	11.3	17.6
	Evaporating Tempe -10°C	冷量 Cooling capacity(W)	10403	12749	13208	17603	26965
		功率 Input(KW)	5.7	7.9	8.3	11.3	17.8
	Evaporating Tempe -20°C	冷量 Cooling capacity(W)	6401	7815	8127	10831	16592
		功率 Input(KW)	6.6	7.9	8.3	11.1	17.5
	Evaporating Tempe -30°C	冷量 Cooling capacity(W)	51679	6333	6561	8744	13395
		功率 Input(KW)	5.6	6.4	7.1	9.5	14.8
接口 Pipe	回气管 Suction inlet(mm)	7/8 "	1-1/8 "	1-1/8 "	1-1/8 "	1-1/8 "	
	排气管 Liquid Dia (mm)	1/2 "	1/2 "	5/8 "	5/8 "	7/8 "	
外形尺寸 Overall Dimension L*W*H (mm)		1300×560×990	1300×560×990	1300×560×1190	1000×900×1060	1500×900×1100	

注: 冷凝温度=50°C, 过冷度=0K, Condensing temperature 50°C, subcooling 0K

英华特压缩机箱式机组
YF compressor Units Series

Low temp 220V/3PH/60HZ

型号 Model		ZLYWF02L	ZLYWF03L	ZLYWF04L	ZLYWF05L	ZLYWF06L	
压缩机型号 Compressor model		YF13E7G	YF20E7G	YF29E7G	YF35E7G	YF41E7G	
出风方式 Type		Side blow	Side blow	Side blow	Side blow	Side blow	
适用温度 Temperature(°C)		-40°C-0°C					
制冷剂 Refrigerant		R404A					
电源 Power supply		220V/3PH/60Hz					
冷凝器 Condenser	风机直径 Fan Qty *Dia (mm)	1×450	1×450	2×400	2×400	2×400	
	风量 Air Flow(m³/h)	1×5100	1×5100	2×3900	2×3900	2×3900	
	功率 Power of Fan(W)	1*250	1*250	2*180	2*180	2*180	
	电源 Fan voltage	220V/3PH/60Hz					
	换热量 capacity (KW)	6	9.1	11.1	13.6	16.2	
压缩机参数 Compressor Capacity	Evaporating Tempe -5°C	冷量 Cooling capacity(W)	5638	7407	11121	13469	16134
		功率 Input(KW)	2	2.64	3.7	4.4	5.1
	Evaporating Tempe -10°C	冷量 Cooling capacity(W)	3930	5164	7779	9389	11247
		功率 Input(KW)	1.88	2.45	3.5	4.0	4.74
	Evaporating Tempe -25°C	冷量 Cooling capacity(W)	2639	3467	5223	6304	7552
		功率 Input(KW)	1.73	2.24	3.16	3.75	4.3
	Evaporating Tempe -35°C	冷量 Cooling capacity(W)	1714	2252	3393	4095	7230
		功率 Input(KW)	1.58	2.1	2.9	3.4	4.44
接口 Pipe	回气管 Suction inlet(mm)	7/8"	7/8"	7/8"	7/8"	7/8"	
	排气管 Liquid Dia (mm)	1/2"	1/2"	1/2"	1/2"	1/2"	
外形尺寸 Overall Dimension L*W*H (mm)		1300×560×690	1300×560×690	1300×560×990	1300×560×990	1300×560×990	

注：冷凝温度=50°C，过冷度=0K，Condensing temperature 50°C，subcooling 0K

型号 Model		ZLYWF07L	ZLYWF08L	ZLYWF09L	ZLYWF10L	ZLYWF12L	
压缩机型号 Compressor model		YF60E7G	YF56E7G	YF65E7G	YF72E7G	YF80E7G	
出风方式 Type		Side blow	Side BLOW	Top blow	Top blow	Top blow	
适用温度 Temperature(°C)		-40°C-0°C					
制冷剂 Refrigerant		R404A					
电源 Power supply		220V/3PH/60Hz					
冷凝器 Condenser	风机直径 Fan Qty *Dia (mm)	2×400	2×450	1×630	1×630	2×550	
	风量 Air Flow(m³/h)	2×3900	2×5100	1×13000	2×8500	2×8720	
	功率 Power of Fan(W)	2*180	2*250	1*860	2*650	2*720	
	电源 Fan voltage	220V/3PH/60Hz					
	换热量 capacity (KW)	17.8	24.1	30.6	30.6	36	
压缩机参数 Compressor Capacity	Evaporating Tempe -5°C	冷量 Cooling capacity(W)	20396	24217	27249	30618	34051
		功率 Input(KW)	6.25	7.2	8.345	9.254	10.282
	Evaporating Tempe -15°C	冷量 Cooling capacity(W)	14935	16994	19162	26123	23916
		功率 Input(KW)	5.73	6.5	7.55	8.367	9.296
	Evaporating Tempe -25°C	冷量 Cooling capacity(W)	10683	11427	12892	14523	16136
		功率 Input(KW)	5.35	5.86	6.8	7.5	8.37
	Evaporating Tempe -35°C	冷量 Cooling capacity(W)	7297	7439	8676	9417	10460
		功率 Input(KW)	5.09	5.25	6.1	6.747	7.497
接口 Pipe	回气管 Suction inlet(mm)	1-1/8"	1-1/8"	1-1/8"	1-1/8"	1-1/8"	
	排气管 Liquid Dia (mm)	1/2"	5/8"	5/8"	5/8"	5/8"	
外形尺寸 Overall Dimension L*W*H (mm)		1300×560×990	1300×560×1190	1000×900×1060	1000×900×1060	1470×900×1060	

注：冷凝温度=50°C，过冷度=0K，Condensing temperature 50°C，subcooling 0K





敞开式机组系列 OPEN TYPE CONDENSING UNITS

敞开式压缩机冷凝机组是公司主要产品系列之一。产品设计结构紧凑，应用范围广泛，温度应用范围大。操作简单，压缩机采用国际知名品牌：比泽尔、谷轮、恩布拉克、泰康、美优乐等。

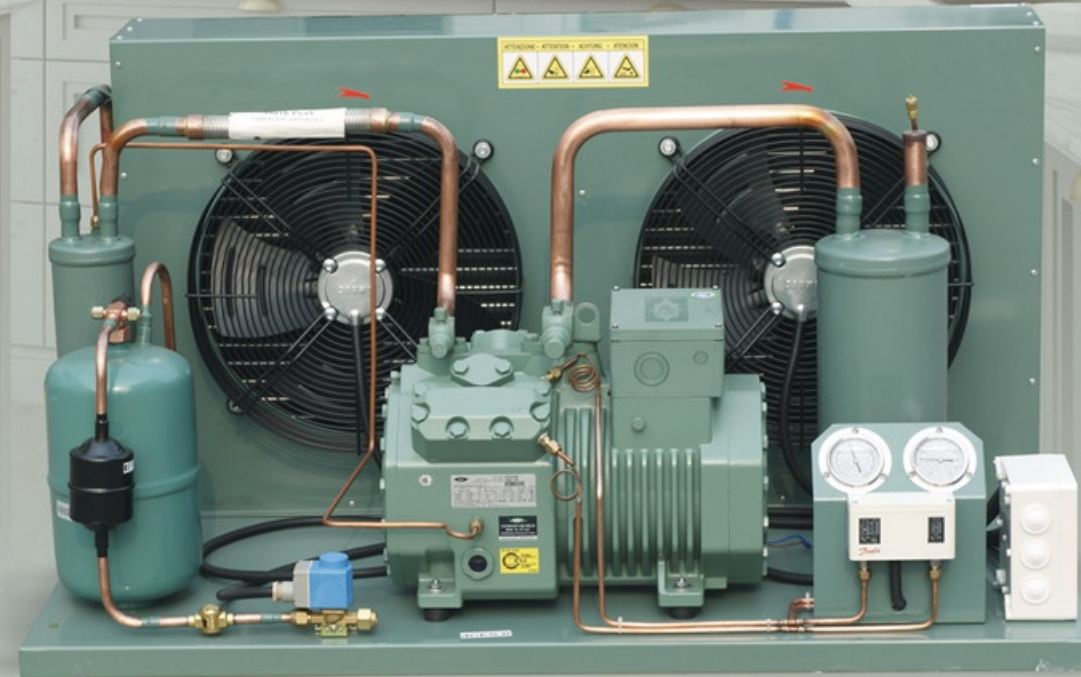
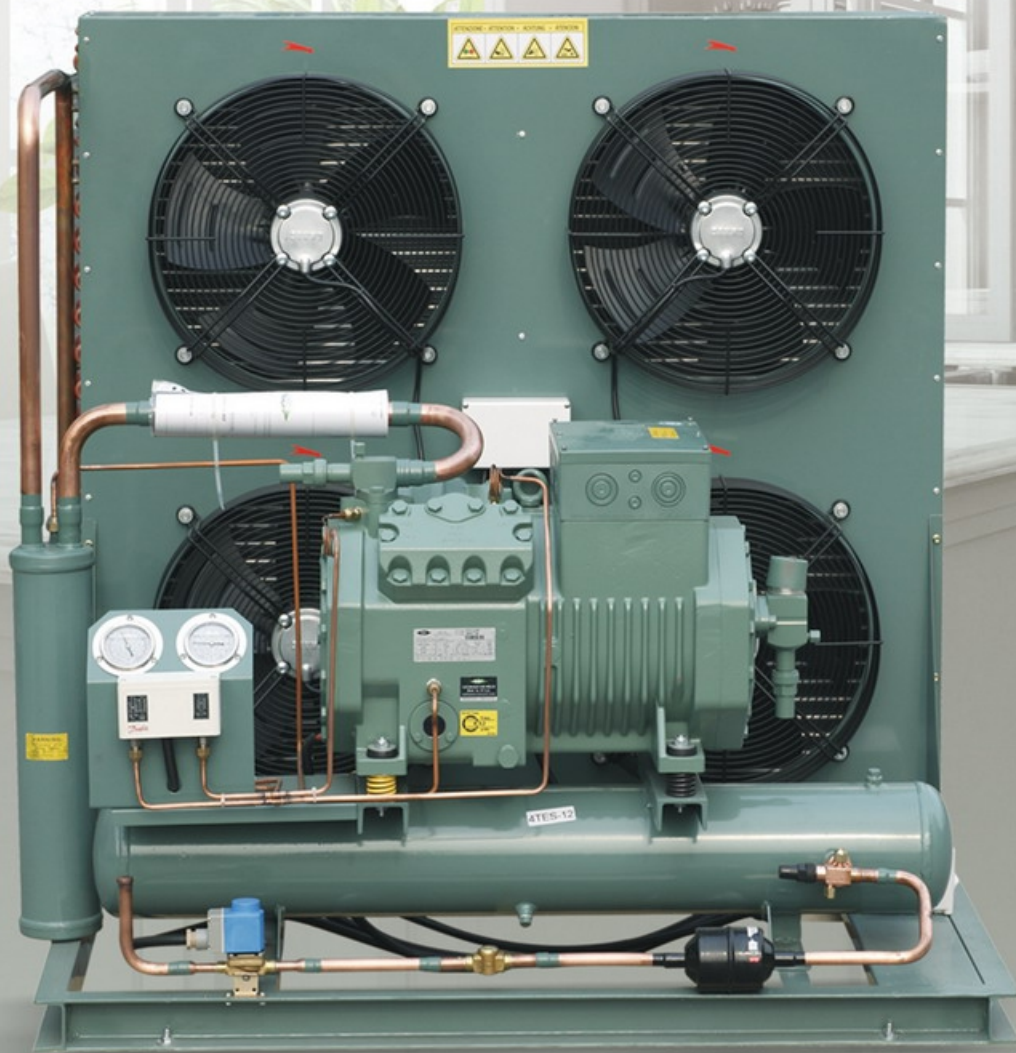
产品优点：

1. 产品种类齐全，选择空间范围大，
2. 采用国产、进口优质制冷配件，多重保护确保机组运行安全稳定，
3. 风机采用外转子风机，效率高，风量足，
4. 机组结构简单，安装方便，底板均采用加厚钢板，并喷塑处理，牢固可靠，耐腐蚀，耐老化。
5. 配套适用于高，中，低温库、陈列展示柜、商超冷藏、工业设备、酒店、厨房、电子化工等各行业。

Feature: It is one of our main series product. Producing in compact structure, wide application, easy operation. Cooperating with many famous brand compressor: Bitzer, Copeland, Embraco, Tecumseh, Danfoss, Maneurop etc.

Advantages:

1. Various type and wide selection
2. Simple structure, easy installation
3. Adopting domestic or imported high quality refrigeration accessories, multiple protection for ensuring the safety and stability of the operation.
4. Adopting axial fan motor with high efficiency and large air flow.
6. Adopt thickened spraying steel bottom plate, firm and strong, resistant aging and corrosion.
7. Suitable for high, medium and low temperature library, display cabinet, mall refrigeration, industrial equipment, hotel, kitchen, electronic chemical and other industries.





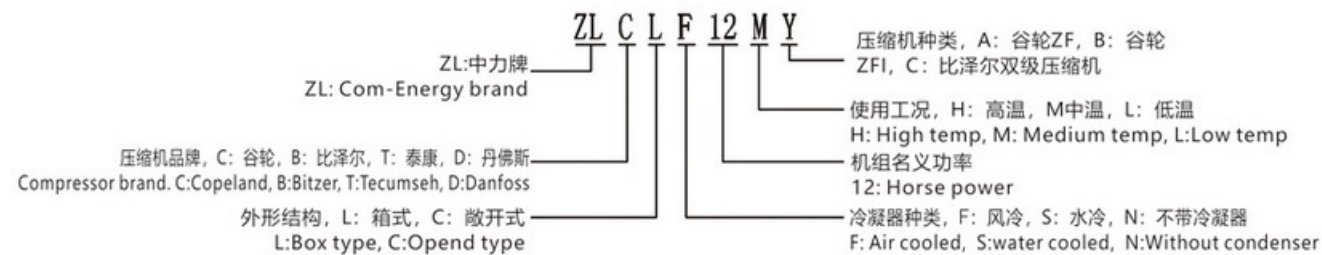
产品特点

Products characteristics

- 主要采用比泽尔半封闭活塞压缩机
- 应用范围广泛，有高温、中温、低温不同工况
- 机组采用国内知名品牌制冷配件
- 可根据客户需要增加配件
- 压缩机更换冷冻机油后可适用多种不同制冷剂。
- Adopting BITZER semi-hermetic piston compressor
- Wide applications, adapt L/M/H BP different working conditions.
- Adopting famous brand and high quality refrigeration accessories.
- Adapting different refrigerant when replacing refrigerated oil.
- More accessories can be assembled according to requirements.

型号说明

Products characteristics



压缩机品牌, Y: 英华特, X: 雪鹰, M: 麦迪直流压缩机, R: 莱富康, F: 复盛, E: 恩布拉克, U: 美优乐

机组配置说明

Main components

ZLBF02M-ZLBF20M, ZLBF02L-ZLBF14LY

标准配置: 压缩机、冷凝器、储液器、过滤器、视液镜、电磁阀、高低压表、压力控制器、曲轴箱加热器。

选配件: 减震管、油分离器、气液分离器、吸气过滤器。

ZLBF25M-ZLBF50M, ZLBF18LY-ZLBF44LY

标准配置: 压缩机、油加热、风机、冷凝器、储液器、过滤器、视液镜、电磁阀、高低压表、压力控制器, 减震管、油压保护

ZLBF02M-ZLBF20M, ZLBF02L-ZLBF14LY

Standard configuration: Compressor, condenser, fan motor, liquid receiver, filter drier, sight glass, Solenoid valve,

H/L P oil gauge, pressure controller, crankcase heater.

Optional accessories: Vibration absorber, oil separator, suction accumulator, suction filter drier.

ZLBF25M-ZLBF50M, ZLBF18LY-ZLBF44LY

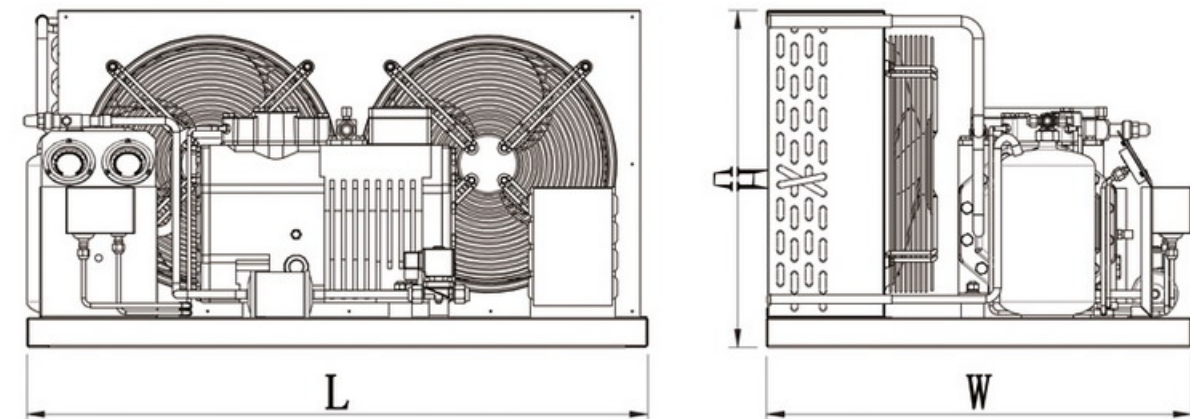
Standard configuration: Compressor, oil heating, fan motor, condenser, liquid receiver, filter drier, sight glass, solenoid valve,

H/L P oil gauge, pressure controller, vibration absorber, oil pressure protector.

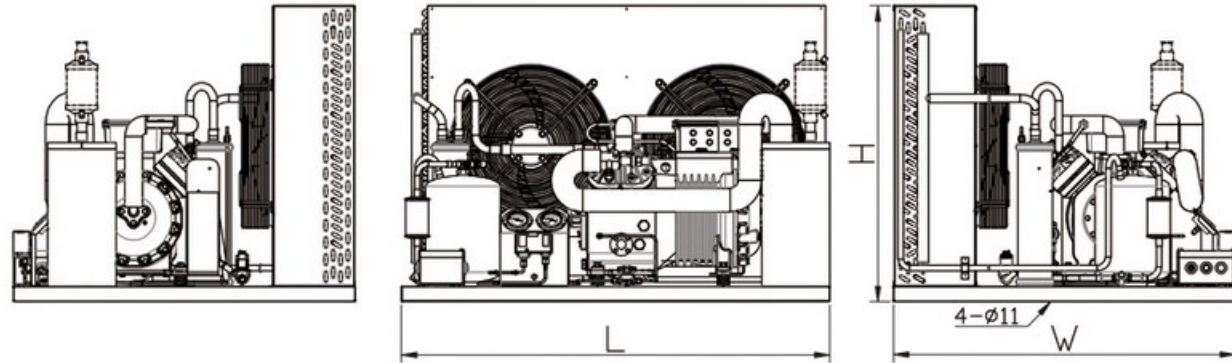
外形结构安装示意图

Diagrams for Overall sizes

比泽尔单级压缩机 Bitzer single stage



比泽尔双机机组 Bitzer double stage


风冷机组主要技术参数
 Air Cooled Unit Specifications

一、比泽尔1号电机压缩机组
 Bitzer NO.1 Motor Compressor Units Series

型号 Model		ZLBCF02M	ZLBCF02M	ZLBCF03M	ZLBCF03M	
压缩机型号 Compressor model		2HES-2(Y)	2GES-2(Y)	2FES-3(Y)	2EES-3(Y)	
出风方式 Type		Side blow	Side blow	Side blow	Side blow	
适用温度 Temperature(°C)		- 25°C - + 5°C				
制冷剂 Refrigerant		R404A				
电源 Power supply		380V/3PH/50Hz				
冷凝器 Condenser	风机直径 Fan Qty *Dia (mm)	1x400	1x400	2x350	2x350	
	风量 Air Flow(m³/h)	1x3900	1x3900	1x3110	2x3110	
	功率 Power of Fan(W)	1*190	1*190	2*145	2*145	
	电源 Fan voltage	380V/3PH/50Hz				
压缩机参数 Compressor Capacity	Evaporating Tempe 5°C	冷量 Cooling capacity(W)	4940	5650	6890	8980
		功率 Input(KW)	2.15	2.52	3.2	3.27
	Evaporating Tempe 0°C	冷量 Cooling capacity(W)	4110	4700	5760	7490
		功率 Input(KW)	2	2.4	3	3.3
	Evaporating Tempe -10°C	冷量 Cooling capacity(W)	2740	3.8	3890	5040
		功率 Input(KW)	1.7	2.1	2.6	2.9
	Evaporating Tempe -25°C	冷量 Cooling capacity(W)	1290	1560	1900	2450
		功率 Input(KW)	1.3	1.55	1.9	2.1
接口 Pipe	回气管 Suction inlet(mm)	5/8 "	5/8 "	5/8 "	7/8 "	
	排气管 Liquid Dia (mm)	3/8 "	3/8 "	3/8 "	3/8 "	
外形尺寸 Overall Dimension L*W*H (mm)		800×800×570	800×800×570	920×700×470	920×700×470	

注：冷凝温度=50°C，过冷度=0K，Condensing temperature 50°C，subcooling 0K

一、比泽尔1号电机压缩机组
 Bitzer NO.1 Motor Compressor Units Series

型号 Model		ZLBCF03M	ZLBCF04M	ZLBCF03M	ZLBCF06M	
压缩机型号 Compressor model		2DES-3(Y)	2CES-4(Y)	4FES-5(Y)	4EES-6(Y)	
出风方式 Type		Side blow	Side blow	Side blow	Side blow	
适用温度 Temperature(°C)		- 25°C - + 5°C				
制冷剂 Refrigerant		R404A				
电源 Power supply		380V/3PH/50Hz				
冷凝器 Condenser	风机直径 Fan Qty *Dia (mm)	2x350	2x400	2x400	2x400	
	风量 Air Flow(m³/h)	2x3110	2x3900	2x3900	2x3900	
	功率 Power of Fan(W)	2*145	2*190	2*190	2*190	
	电源 Fan voltage	380V/3PH/50Hz				
压缩机参数 Compressor Capacity	Evaporating Tempe 5°C	冷量 Cooling capacity(W)	10400	13100	14400	18240
		功率 Input(KW)	4.1	5.2	5.5	7
	Evaporating Tempe 0°C	冷量 Cooling capacity(W)	8690	11060	12000	15170
		功率 Input(KW)	4	4.9	5.2	6.6
	Evaporating Tempe -10°C	冷量 Cooling capacity(W)	5880	7540	8130	10200
		功率 Input(KW)	3.3	4.3	4.6	5.7
	Evaporating Tempe -25°C	冷量 Cooling capacity(W)	2910	3810	4130	5080
		功率 Input(KW)	2.4	3.1	3.4	4.1
接口 Pipe	回气管 Suction inlet(mm)	7/8 "	7/8 "	7/8 "	1-1/8"	
	排气管 Liquid Dia (mm)	3/8 "	1/2"	1/2"	1/2"	
外形尺寸 Overall Dimension L*W*H (mm)		920×700×470	1030×800×620	1030×800×720	1260×750×770	

注：冷凝温度=50°C，过冷度=0K，Condensing temperature 50°C，subcooling 0K

型号 Model		ZLBCF07M	ZLBCF09M	ZLBCF10M	ZLBCF10M	
压缩机型号 Compressor model		4DES-7(Y)	4CES-9(Y)	4VES-10(Y)	4VE-10(Y)	
出风方式 Type		Side blow	Side blow	Side blow	Side blow	
适用温度 Temperature(°C)		- 25°C - + 5°C				
制冷剂 Refrigerant		R404A				
电源 Power supply		380V/3PH/50Hz				
冷凝器 Condenser	风机直径 Fan Qty *Dia (mm)	2x400	2x400	2x400	2x400	
	风量 Air Flow(m³/h)	2x3900	2x3900	2x3900	2x3900	
	功率 Power of Fan(W)	2*190	2*190	2*190	2*190	
	电源 Fan voltage	380V/3PH/50Hz				
压缩机参数 Compressor Capacity	Evaporating Tempe 5°C	冷量 Cooling capacity(W)	21500	27000	28400	28400
		功率 Input(KW)	7.94	10	10.13	10.13
	Evaporating Tempe 0°C	冷量 Cooling capacity(W)	17880	22500	23400	23400
		功率 Input(KW)	7.6	9.57	9.48	9.48
	Evaporating Tempe -10°C	冷量 Cooling capacity(W)	12060	15080	15390	15390
		功率 Input(KW)	6.6	8.2	8	8
	Evaporating Tempe -25°C	冷量 Cooling capacity(W)	6070	7480	7230	7230
		功率 Input(KW)	4.75	5.84	5.46	5.46
接口 Pipe	回气管 Suction inlet(mm)	1-1/8"	1-1/8"	1-1/8"	1-1/8"	
	排气管 Liquid Dia (mm)	1/2"	5/8"	5/8"	5/8"	
外形尺寸 Overall Dimension L*W*H (mm)		1260×750×870	1270×850×970	1270×850×970	1270×850×970	

注：冷凝温度=50°C，过冷度=0K，Condensing temperature 50°C，subcooling 0K

一、比泽尔1号电机压缩机组
Bitzer NO.1 Motor Compressor Units Series

型号 Model		ZLBCF12M	ZLBCF12M	ZLBCF15M	ZLBCF15M	
压缩机型号 Compressor model		4TES-12(Y)	4TE-12(Y)	4PES-15(Y)	4PE-15(Y)	
出风方式 Type		Side blow	Side blow	Side blow	Side blow	
适用温度 Temperature(°C)		-25°C - +5°C				
制冷剂 Refrigerant		R404A				
电源 Power supply		380V/3PH/50Hz				
冷凝器 Condenser	风机直径 Fan Qty *Dia (mm)	4*400	4*400	4x400	4x400	
	风量 Air Flow(m³/h)	4*3900	4*3900	4x3900	4x3900	
	功率 Power of Fan(W)	4*190	4*190	4*190	4*190	
	电源 Fan voltage	380V/3PH/50Hz				
	换热量 capacity (KW)	30	30	39	39	
压缩机参数 Compressor Capacity	Evaporating Tempe 5°C	冷量 Cooling capacity(W)	34300	34300	39300	39300
		功率 Input(KW)	12.76	12.76	14.41	21.3
	Evaporating Tempe 0°C	冷量 Cooling capacity(W)	28400	28400	32400	32400
		功率 Input(KW)	12	12	13.46	20.32
	Evaporating Tempe -10°C	冷量 Cooling capacity(W)	18780	18780	21100	21100
		功率 Input(KW)	10.17	10.16	11.3	11.3
	Evaporating Tempe -25°C	冷量 Cooling capacity(W)	9030	9030	9790	9790
		功率 Input(KW)	7.14	7.14	7.66	7.66
接口 Pipe	回气管 Suction inlet(mm)	1-3/8"	1-3/8"	1-5/8"	1-5/8"	
	排气管 Liquid Dia (mm)	5/8"	5/8"	7/8"	7/8"	
外形尺寸 Overall Dimension L*W*H (mm)		1270×850×1170	1270×850×1170	1270×850×1420	1270×850×1420	

注：冷凝温度=50°C，过冷度=0K，Condensing temperature 50°C，subcooling 0K

型号 Model		ZLBCF20M	ZLBCF20M	ZLBCF22M	ZLBCF25M	ZLBCF25M	
压缩机型号 Compressor model		4NES-20(Y)	4NE-20(Y)	4JE-22(Y)	4HE-25(Y)	4HE-25(Y)	
出风方式 Type		Side blow	Side blow	Side blow	Side blow	Side blow	
适用温度 Temperature(°C)		-25°C - +5°C					
制冷剂 Refrigerant		R404A					
电源 Power supply		380V/3PH/50Hz					
冷凝器 Condenser	风机直径 Fan Qty *Dia (mm)	4X500	4X500	3X500	3X500	3X550	
	风量 Air Flow(m³/h)	4x7000	4x7000	3x7000	3x7000	3X8500	
	功率 Power of Fan(W)	4*450	4*450	3*450	3*450	3*650	
	电源 Fan voltage	380V/3PH/50Hz					
	换热量 capacity (KW)	54	54	57.6	65.7	81.3	
压缩机参数 Compressor Capacity	Evaporating Tempe 5°C	冷量 Cooling capacity(W)	46800	46800	51900	60700	69400
		功率 Input(KW)	18	18	19.35	22.75	26.45
	Evaporating Tempe 0°C	冷量 Cooling capacity(W)	38700	38700	43200	50700	57900
		功率 Input(KW)	16.96	16.96	18	21.24	24.85
	Evaporating Tempe -10°C	冷量 Cooling capacity(W)	25600	25600	28900	34200	39300
		功率 Input(KW)	14.5	14.5	15.48	18.17	21.37
	Evaporating Tempe -25°C	冷量 Cooling capacity(W)	12380	12380	13930	17040	19830
		功率 Input(KW)	10.5	10.5	11	13	15.54
接口 Pipe	回气管 Suction inlet(mm)	1-5/8"	1-5/8"	1-5/8"	2-1/8"	2-1/8"	
	排气管 Liquid Dia (mm)	7/8"	7/8"	5/8"	7/8"	1-1/8"	
外形尺寸 Overall Dimension L*W*H (mm)		1270×950×1370	1270×950×1370	2000×890×2020	2000×890×2100	2420×890×2110	

注：冷凝温度=50°C，过冷度=0K，Condensing temperature 50°C，subcooling 0K

一、比泽尔1号电机压缩机组
Bitzer NO.1 Motor Compressor Units Series

型号 Model		ZLBCF35M	ZLBCF33M	ZLBCF35M	ZLBCF40M	ZLBCF50M	
压缩机型号 Compressor model		4FE-35(Y)	6JE-33(Y)	6HE-35(Y)	6GE-40(Y)	6FE-50(Y)	
出风方式 Type		Side blow	Side blow	Side blow	Side blow	Side blow	
适用温度 Temperature(°C)		-25°C - +5°C					
制冷剂 Refrigerant		R404A					
电源 Power supply		380V/3PH/50Hz					
冷凝器 Condenser	风机直径 Fan Qty *Dia (mm)	3X600	3X600	3X600	3X600	3X630	
	风量 Air Flow(m³/h)	3x10800	3x10800	3x10800	3x10800	3x13000	
	功率 Power of Fan(W)	3*860	3*860	3*860	3*860	3*860	
	电源 Fan voltage	380V/3PH/50Hz					
	换热量 capacity (KW)	93.3	93.3	93.3	10.8	13.5	
压缩机参数 Compressor Capacity	Evaporating Tempe 5°C	冷量 Cooling capacity(W)	82000	77400	89300	100400	121700
		功率 Input(KW)	33	30	36.36	38.68	47.38
	Evaporating Tempe 0°C	冷量 Cooling capacity(W)	69000	64300	74500	84100	102200
		功率 Input(KW)	30.74	29.58	34.66	36.68	44.68
	Evaporating Tempe -10°C	冷量 Cooling capacity(W)	47600	42800	50400	57400	7010
		功率 Input(KW)	26.88	25.96	30.36	31.78	38.48
	Evaporating Tempe -25°C	冷量 Cooling capacity(W)	24700	20500	25100	29100	3590
		功率 Input(KW)	19.53	19.41	22.88	23.28	27.68
接口 Pipe	回气管 Suction inlet(mm)	2-1/8"	2-1/8"	2-1/8"	2-1/8"	2-1/8"	
	排气管 Liquid Dia (mm)	1-1/8"	1-1/8"	1-1/8"	1-3/8"	1-3/8"	
外形尺寸 Overall Dimension L*W*H (mm)		2420×935×2110	2420×935×2110	2420×935×2110	2835×1165×2475	2780×1265×2650	

注：冷凝温度=50°C，过冷度=0K，Condensing temperature 50°C，subcooling 0K

二、比泽尔2号电机压缩机组
Bitzer NO.2 Motor Compressor Units Series

型号 Model		ZLBCF02L	ZLBCF02L	ZLBCF02L	ZLBCF03L	
压缩机型号 Compressor model		2FES-2(Y)	2EES-2(Y)	2DES-2(Y)	2CES-3(Y)	
出风方式 Type		Side blow	Side blow	Side blow	Side blow	
适用温度 Temperature(°C)		-35°C - 0°C				
制冷剂 Refrigerant		R404A				
电源 Power supply		380V/3PH/50Hz				
冷凝器 Condenser	风机直径 Fan Qty *Dia (mm)	1x400	1x400	2x350	2x350	
	风量 Air Flow(m³/h)	1x3900	1x3900	1x3110	2x3110	
	功率 Power of Fan(W)	1*190	1*190	2*145	2*145	
	电源 Fan voltage	380V/3PH/50Hz				
	换热量 capacity (KW)	6.6	6.6	6.6	8.4	
压缩机参数 Compressor Capacity	Evaporating Tempe 0°C	冷量 Cooling capacity(W)	5770	7490	8690	11060
		功率 Input(KW)	2.9	3.35	4	5
	Evaporating Tempe -15°C	冷量 Cooling capacity(W)	31400	4050	47400	6120
		功率 Input(KW)	2.34	2.56	3.12	3.9
	Evaporating Tempe -25°C	冷量 Cooling capacity(W)	1910	2450	2910	3810
		功率 Input(KW)	1.87	2	2.9	3.1
	Evaporating Tempe -35°C	冷量 Cooling capacity(W)	1000	1280	1560	2110
		功率 Input(KW)	1.4	1.4	1.79	2.3
接口 Pipe	回气管 Suction inlet(mm)	5/8 "	7/8 "	7/8 "	7/8 "	
	排气管 Liquid Dia (mm)	3/8 "	3/8 "	3/8 "	3/8 "	
外形尺寸 Overall Dimension L*W*H (mm)		800×800×570	800×800×570	800×800×570	920×700×470	

注：冷凝温度=50°C，过冷度=0K，Condensing temperature 50°C，subcooling 0K

二、比泽尔2号电机压缩机组
Bitzer NO.2 Motor Compressor Units Series

型号 Model		ZLBCF03L	ZLBCF04L	ZLBCF05L	ZLBCF06L	
压缩机型号 Compressor model		4FES-3(Y)	4EES-4(Y)	4DES-5(Y)	4CES-6(Y)	
出风方式 Type		Side blow	Side blow	Side blow	Side blow	
适用温度 Temperature(°C)		-35°C - 0°C				
制冷剂 Refrigerant		R404A				
电源 Power supply		380V/3PH/50Hz				
冷凝器 Condenser	风机直径 Fan Qty *Dia (mm)	2x350	2x400	2x400	2x400	
	风量 Air Flow(m³/h)	2x3110	2x3900	2x3900	2x3900	
	功率 Power of Fan(W)	2*145	2*190	2*190	2*190	
	电源 Fan voltage	380V/3PH/50Hz				
	换热量 capacity (KW)	8.4	10.8	12.9	16.5	
压缩机参数 Compressor Capacity	Evaporating Tempe 0°C	冷量 Cooling capacity(W)	12030	15360	17860	22500
		功率 Input(KW)	5.3	6.9	7.84	9.57
	Evaporating Tempe -15°C	冷量 Cooling capacity(W)	6580	8390	9740	12120
		功率 Input(KW)	4.3	5.43	6.18	7.45
	Evaporating Tempe -25°C	冷量 Cooling capacity(W)	4120	3920	6070	7480
		功率 Input(KW)	3.4	3.38	4.9	58.5
	Evaporating Tempe -35°C	冷量 Cooling capacity(W)	2380	2.8	3490	4220
		功率 Input(KW)	2.54	3.15	3.62	4.28
接口 Pipe	回气管 Suction inlet(mm)	7/8 "	1-1/8"	1-1/8"	1-1/8"	
	排气管 Liquid Dia (mm)	3/8 "	1/2"	1/2"	1/2"	
外形尺寸 Overall Dimension L*W*H (mm)		920×700×470	1030×800×620	1030×800×720	1260×750×770	

注：冷凝温度=50°C，过冷度=0K，Condensing temperature 50°C，subcooling 0K

型号 Model		ZLBCF09L	ZLBCF06L	ZLBCF06L	ZLBCF08L	
压缩机型号 Compressor model		4BES-9(Y)	4VES-7(Y)	4VE-7(Y)	4TES-9(Y)	
出风方式 Type		Side blow	Side blow	Side blow	Side blow	
适用温度 Temperature(°C)		-35°C - 0°C				
制冷剂 Refrigerant		R404A				
电源 Power supply		380V/3PH/50Hz				
冷凝器 Condenser	风机直径 Fan Qty *Dia (mm)	2x400	2x400	2x400	2x400	
	风量 Air Flow(m³/h)	2x3900	2x3900	2x3900	2x3900	
	功率 Power of Fan(W)	2*190	2*190	2*190	2*190	
	电源 Fan voltage	380V/3PH/50Hz				
	换热量 capacity (KW)	24	21	21	24	
压缩机参数 Compressor Capacity	Evaporating Tempe 0°C	冷量 Cooling capacity(W)	24700	23400	23400	28400
		功率 Input(KW)	10.6	10	10	12.07
	Evaporating Tempe -15°C	冷量 Cooling capacity(W)	13310	12210	12210	15020
		功率 Input(KW)	8.24	7.38	7.38	9
	Evaporating Tempe -25°C	冷量 Cooling capacity(W)	8200	7220	7220	9060
		功率 Input(KW)	6.46	5.55	5.55	6.86
	Evaporating Tempe -35°C	冷量 Cooling capacity(W)	4610	3750	3750	4900
		功率 Input(KW)	4.71	3.84	3.84	4.85
接口 Pipe	回气管 Suction inlet(mm)	1-1/8"	1-1/8"	1-3/8"	1-3/8"	
	排气管 Liquid Dia (mm)	5/8"	1/2"	1/2"	1/2"	
外形尺寸 Overall Dimension L*W*H (mm)		1270×850×970	1260×750×870	1260×750×870	1270×850×970	

注：冷凝温度=50°C，过冷度=0K，Condensing temperature 50°C，subcooling 0K

二、比泽尔2号电机压缩机组
Bitzer NO.2 Motor Compressor Units Series

型号 Model		ZLBCF08L	ZLBCF10L	ZLBCF10L	ZLBCF12L	
压缩机型号 Compressor model		4TE-9(Y)	4PES-12(Y)	4PE-12(Y)	4NES-14(Y)	
出风方式 Type		Side blow	Side blow	Side blow	Side blow	
适用温度 Temperature(°C)		-35°C - 0°C				
制冷剂 Refrigerant		R404A				
电源 Power supply		380V/3PH/50Hz				
冷凝器 Condenser	风机直径 Fan Qty *Dia (mm)	2x400	2x400	4x400	4x400	
	风量 Air Flow(m³/h)	2x3900	2x3900	4x3900	4x3900	
	功率 Power of Fan(W)	2*190	2*190	4*190	4*190	
	电源 Fan voltage	380V/3PH/50Hz				
	换热量 capacity (KW)	24	30	30	39	
压缩机参数 Compressor Capacity	Evaporating Tempe 0°C	冷量 Cooling capacity(W)	28400	32400	32400	38500
		功率 Input(KW)	12.07	13.26	13.26	17
	Evaporating Tempe -15°C	冷量 Cooling capacity(W)	15020	16790	16790	20400
		功率 Input(KW)	9	9.74	9.74	12.3
	Evaporating Tempe -25°C	冷量 Cooling capacity(W)	9060	9860	9860	12240
		功率 Input(KW)	6.86	7.28	7.28	9.37
	Evaporating Tempe -35°C	冷量 Cooling capacity(W)	4900	5070	5070	6580
		功率 Input(KW)	4.85	4.88	4.88	6.55
接口 Pipe	回气管 Suction inlet(mm)	1-3/8"	1-3/8"	1-3/8"	1-3/8"	
	排气管 Liquid Dia (mm)	1/2"	5/8"	5/8"	5/8"	
外形尺寸 Overall Dimension L*W*H (mm)		1270×850×970	1270×850×970	1270×850×1170	1270×850×1420	

注：冷凝温度=50°C，过冷度=0K，Condensing temperature 50°C，subcooling 0K

型号 Model		ZLBCF13L	ZLBCF15L	ZLBCF20L	ZLBCF28L	
压缩机型号 Compressor model		4JE-15(Y)	4HE-18(Y)	4GE-23(Y)	4FE-28(Y)	
出风方式 Type		Side blow	Side blow	Side blow	Side blow	
适用温度 Temperature(°C)		-35°C - 0°C				
制冷剂 Refrigerant		R404A				
电源 Power supply		380V/3PH/50Hz				
冷凝器 Condenser	风机直径 Fan Qty *Dia (mm)	4x400	4X500	3X500	3X550	
	风量 Air Flow(m³/h)	4x3900	4x7000	3x7000	3X8500	
	功率 Power of Fan(W)	4*190	4*450	3*450	3*650	
	电源 Fan voltage	380V/3PH/50Hz				
	换热量 capacity (KW)	39	45	49	81.3	
压缩机参数 Compressor Capacity	Evaporating Tempe 0°C	冷量 Cooling capacity(W)	44200	51400	59300	69600
		功率 Input(KW)	18.16	22.7	26.45	31.25
	Evaporating Tempe -15°C	冷量 Cooling capacity(W)	29800	28300	33100	48100
		功率 Input(KW)	15.45	17.64	20.23	26.85
	Evaporating Tempe -25°C	冷量 Cooling capacity(W)	14810	17720	21000	25.2
		功率 Input(KW)	11	14.02	15.93	19.43
	Evaporating Tempe -35°C	冷量 Cooling capacity(W)	8.16	10700	12320	14610
		功率 Input(KW)	8	10.54	11.88	14.37
接口 Pipe	回气管 Suction inlet(mm)	1-5/8"	1-5/8"	2-1/8"	2-1/8"	
	排气管 Liquid Dia (mm)	7/8"	7/8"	5/8"	7/8"	
外形尺寸 Overall Dimension L*W*H (mm)		1270×850×1420	1270×950×1370	2000×890×2100	2420×890×2110	

注：冷凝温度=50°C，过冷度=0K，Condensing temperature 50°C，subcooling 0K

二、比泽尔2号电机压缩机组

Bitzer NO.2 Motor Compressor Units Series

型号 Model		ZLBCF22L	ZLBCF25L	ZLBCF30L	ZLBCF40L	
压缩机型号 Compressor model		6JE-25(Y)	6HE-28(Y)	6GE-34(Y)	6FE-44(Y)	
出风方式 Type		Side blow	Side blow	Side blow	Side blow	
适用温度 Temperature(°C)		-35°C - 0°C				
制冷剂 Refrigerant		R404A				
电源 Power supply		380V/3PH/50Hz				
冷凝器 Condenser	风机直径 Fan Qty *Dia (mm)	3X500	3X500	3X550	3X600	
	风量 Air Flow(m³/h)	3x7000	3x7000	3x8500	3x10800	
	功率 Power of Fan(W)	3*450	3*450	3*650	3*860	
	电源 Fan voltage	380V/3PH/50Hz				
	换热量 capacity (KW)	65.7	65.7	81.3	108	
压缩机参数 Compressor Capacity	Evaporating Tempe 0°C	冷量 Cooling capacity(W)	66100	75700	87200	104000
		功率 Input(KW)	26.84	31.95	39.15	46.28
	Evaporating Tempe -15°C	冷量 Cooling capacity(W)	35900	41700	49400	59100
		功率 Input(KW)	20.95	24.75	30.55	36.58
	Evaporating Tempe -25°C	冷量 Cooling capacity(W)	22100	26100	31800	37800
		功率 Input(KW)	16.4	19.36	24.35	29.18
	Evaporating Tempe -35°C	冷量 Cooling capacity(W)	12260	14800	18920	21900
		功率 Input(KW)	11.8	16	18.3	21.88
接口 Pipe	回气管 Suction inlet(mm)	2-1/8"	2-1/8"	2-1/8"	2-1/8"	
	排气管 Liquid Dia (mm)	7/8"	7/8"	1-1/8"	1-3/8"	
外形尺寸 Overall Dimension L*W*H (mm)		2000×890×2020	2000×890×2100	2420×890×2110	2835×1165×2475	

注: 冷凝温度=50°C, 过冷度=0K, Condensing temperature 50°C, subcooling 0K

三、比泽尔双极压缩机组

Bitzer double stage Compressor Units Series

型号 Model		ZLBCF05LD	ZLBCF08LD	ZLBCF12LD	
压缩机型号 Compressor model		S4T-5.2Y	S4N-8.2Y	S4G-12.2Y	
出风方式 Type		Side blow	Side blow	Side blow	
适用温度 Temperature(°C)		-50°C - 0°C			
制冷剂 Refrigerant		R404A			
电源 Power supply		380V/3PH/50Hz			
冷凝器 Condenser	风机直径 Fan Qty *Dia (mm)	1×550	2×450	2×500	
	风量 Air Flow(m³/h)	1X8500	2X5000	2x7000	
	功率 Power of Fan(W)	1*650	2*250	2*450	
	电源 Fan voltage	380V/3PH/50Hz			
	换热量 capacity (KW)	15	24	36	
压缩机参数 Compressor Capacity	Evaporating Tempe -25°C	冷量 Cooling capacity(W)	8280	11660	17450
		功率 Input(KW)	6.37	8.67	13.22
	Evaporating Tempe -35°C	冷量 Cooling capacity(W)	5510	7800	12160
		功率 Input(KW)	5.48	7.4	11.34
	Evaporating Tempe -45°C	冷量 Cooling capacity(W)	3490	4970	8360
		功率 Input(KW)	4.57	6.1	9.32
	Evaporating Tempe -50°C	冷量 Cooling capacity(W)	2680	3880	6300
		功率 Input(KW)	4.1	4.8	8.31
接口 Pipe	回气管 Suction inlet(mm)	1-1/8"	1-1/8"	1-3/8"	
	排气管 Liquid Dia (mm)	1/2"	5/8"	5/8"	
外形尺寸 Overall Dimension L*W*H (mm)		990×750×860	1240×800×850	1500×950×875	

注: 冷凝温度=50°C, 过冷度=0K, Condensing temperature 50°C, subcooling 0K

三、比泽尔双极压缩机组

Bitzer double stage Compressor Units Series

型号 Model		ZLBCF16LD	ZLBCF20LD	ZLBCF25LD	ZLBCF30LD	
压缩机型号 Compressor model		S6G-16.2Y	S6H-20.2Y	S6G-25.2Y	S6G-30.2Y	
出风方式 Type		Side blow	Side blow	Side blow	Side blow	
适用温度 Temperature(°C)		-50°C - 0°C				
制冷剂 Refrigerant		R404A				
电源 Power supply		380V/3PH/50Hz				
冷凝器 Condenser	风机直径 Fan Qty *Dia (mm)	2×600	2×600	3×500	3X550	
	风量 Air Flow(m³/h)	2x10800	2x10800	3x7000	4X8500	
	功率 Power of Fan(W)	2*860	2*860	3*450	4*650	
	电源 Fan voltage	380V/3PH/50Hz				
	换热量 capacity (KW)	51	57	65.7	81.3	
压缩机参数 Compressor Capacity	Evaporating Tempe -25°C	冷量 Cooling capacity(W)	24300	27900	31700	37400
		功率 Input(KW)	19.55	22.32	25	30.7
	Evaporating Tempe -35°C	冷量 Cooling capacity(W)	16990	19550	22300	26300
		功率 Input(KW)	16.4	18.73	20.92	26
	Evaporating Tempe -45°C	冷量 Cooling capacity(W)	11280	13010	14850	17610
		功率 Input(KW)	13.5	15.37	17	21.35
	Evaporating Tempe -50°C	冷量 Cooling capacity(W)	9030	10320	11790	14010
		功率 Input(KW)	12.13	13.79	15.57	19.71
接口 Pipe	回气管 Suction inlet(mm)	1-5/8"	1-5/8"	1-5/8"	1-5/8"	
	排气管 Liquid Dia (mm)	7/8"	7/8"	7/8"	1-1/8"	
外形尺寸 Overall Dimension L*W*H (mm)		1700×1050×1110	1700×1050×1110	2000×890×2020	2420×890×2110	

注: 冷凝温度=50°C, 过冷度=0K, Condensing temperature 50°C, subcooling 0K





产品特点

Products characteristics

- 机组采用泰康全封闭式活塞压缩机。
- 应用范围广泛，有中高温、低温不同工况。
- 结构紧凑，小巧灵活，外形美观，质量稳定可靠。
- 采用国内知名品牌制冷配件

机组配置说明

标准配置：压缩机、冷凝器、风机、储液器、过滤器、
 选配件：油分离器、压力控制器、高低压表、气液分离器、视镜

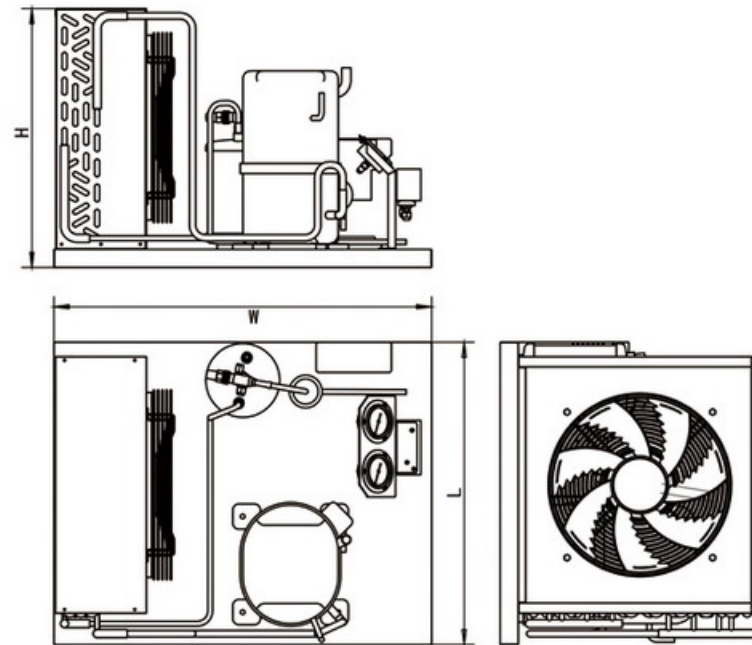
- Adopt Tecumseh hermetic piston compressor.
- Wide applications, adapt L/M/H BP different working conditions
- Compact structure, small and flexible, beautiful appearance, stable and reliable quality.
- Adopt famous brand and high quality refrigeration accessories.

Configuration

Standard configuration: Compressor, condenser, fan motor, liquid receiver, filter drier.
 Selection accessories: Oil separator, pressure controller, H/L P oil gauge, suction accumulator, sight glass.

外形结构安装示意图

Diagrams for Overall sizes



泰康压缩机组系列技术参数

Tecumseh Compressor Units Series Technical parameter

低背压 LBP

型号 Model	ZLTCF01L	ZLTCF1.5L	ZLTCF02L		
压缩机型号 Compressor model	CAJ2446Z	CAJ2464Z	TFH2480Z		
出风方式 Type	Side blow	Side blow	Side blow		
适用温度 Temperature(°C)	-40°C - -20°C				
制冷剂 Refrigerant	R404A				
电源 Power supply	220V/1PH/50Hz	380V/3PH/50Hz			
冷凝器 Condenser	风机直径 Fan Qty *Dia (mm)	1x300	1x350	1x350	
	风量 Air Flow(m³/h)	1x1900	1x3000	1x3000	
	功率 Power of Fan(W)	1*90	1*138	1*138	
	电源 Fan voltage	220V/1PH/50Hz	380V/3PH/50Hz		
	换热量 capacity (KW)	2.1	3.5	4.5	
压缩机参数 Compressor Capacity	Evaporating Tempe -20°C	冷量 Cooling capacity(W)	1451	1864	2775
		功率 Input(KW)	1.5	2	3.23
	Evaporating Tempe -25°C	冷量 Cooling capacity(W)	1133	1459	2137
		功率 Input(KW)	1.2	1.6	2.5
	Evaporating Tempe -30°C	冷量 Cooling capacity(W)	859	1116	1580
		功率 Input(KW)	0.9	1.2	1.9
	Evaporating Tempe -40°C	冷量 Cooling capacity(W)	429	589	668
		功率 Input(KW)	0.5	0.6	0.88
接口 Pipe	回气管 Suction inlet(mm)	7/8 "	7/8 "	7/8 "	
	排气管 Liquid Dia (mm)	3/8 "	3/8 "	3/8 "	
外形尺寸 Overall Dimension L*W*H (mm)	600×500×460	520×500×460	600×600×510		

注：冷凝温度=50°C，过冷度=0K, Condensing temperature 50°C, subcooling 0K

型号 Model	ZLTCF2-3/4L	ZLTCF04L	ZLTCF5.5L		
压缩机型号 Compressor model	TFH2511Z	TAG2516Z	TAG2522Z		
出风方式 Type	Side bLow	Side blow	Side bLow		
适用温度 Temperature(°C)	-40°C - -20°C				
制冷剂 Refrigerant	R404A				
电源 Power supply	380V/3PH/50Hz				
冷凝器 Condenser	风机直径 Fan Qty *Dia (mm)	1×400	2x350	2x400	
	风量 Air Flow(m³/h)	1×3900	1x3000	2×3900	
	功率 Power of Fan(W)	1*190	2*138	2*190	
	电源 Fan voltage	380V/3PH/50Hz			
	换热量 capacity (KW)	6.6	9.9	14.4	
压缩机参数 Compressor Capacity	Evaporating Tempe -20°C	冷量 Cooling capacity(W)	3791	5028	6747
		功率 Input(KW)	4	5.1	6.5
	Evaporating Tempe -25°C	冷量 Cooling capacity(W)	2887	3776	5136
		功率 Input(KW)	3	4	5
	Evaporating Tempe -30°C	冷量 Cooling capacity(W)	2124	2710	3793
		功率 Input(KW)	2.2	2.8	3.8
	Evaporating Tempe -40°C	冷量 Cooling capacity(W)	970	1058	1777
		功率 Input(KW)	1.1	1.2	2
接口 Pipe	回气管 Suction inlet(mm)	5/8 "	7/8 "	1 *1/8 "	
	排气管 Liquid Dia (mm)	1/2 "	1/2 "	1/2 "	
外形尺寸 Overall Dimension L*W*H (mm)	650×620×560	930×680×520	1280×720×670		

注：冷凝温度=50°C，过冷度=0K, Condensing temperature 50°C, subcooling 0K

泰康压缩机系列技术参数

Tecumseh Compressor Units Series Technical parameter

中高背压 H/MBP

型号 Model		ZLTCF3/4H	ZLTCF01H	ZLTCF2/3H	ZLTCF01H	
压缩机型号 Compressor model		CAJ4492Y	CAJ4511Y	CAJ9480Z	CAJ9510Z	
出风方式 Type		Side blow	Side blow	Side blow	Side blow	
适用温度 Temperature(°C)		- 15°C - + 5°C				
制冷剂 Refrigerant		R134A		R404A		
电源 Power supply		220V/1PH/50Hz				
冷凝器 Condenser	风机直径 Fan Qty *Dia (mm)	1x300	1x350	1x250	1x300	
	风量 Air Flow(m³/h)	1x1900	1x3000	1x1000	1x1900	
	功率 Power of Fan(W)	1*90	1*138	1*50	1*90	
	电源 Fan voltage	220V/1PH/50Hz				
	换热量 capacity (KW)	2.1	2.5	1.3	2.1	
压缩机参数 Compressor Capacity	Evaporating Tempe 0°C	冷量 Cooling capacity(W)	1681	2195	1554	1945
		功率 Input(KW)	0.82	1	0.8	1
	Evaporating Tempe -5°C	冷量 Cooling capacity(W)	1313	1744	1271	1594
		功率 Input(KW)	0.7	0.83	0.65	0.84
	Evaporating Tempe -10°C	冷量 Cooling capacity(W)	996	1354	1024	1289
		功率 Input(KW)	0.52	0.67	0.53	0.7
	Evaporating Tempe -15°C	冷量 Cooling capacity(W)	722	1014	807	1022
		功率 Input(KW)	0.4	0.54	0.43	0.57
接口 Pipe	回气管 Suction inlet(mm)	1/2 "	1/2 "	1/2 "	5/8 "	
	排气管 Liquid Dia (mm)	5/16 "	5/16 "	5/16 "	5/16 "	
外形尺寸 Overall Dimension L*W*H (mm)		460x510x360	600x500x460	400x500x360	460x510x360	

注：冷凝温度=50°C，过冷度=0K，Condensing temperature 50°C，subcooling 0K

型号 Model		ZLTCF1-1/8H	ZLTCF1.5H	ZLTCF1-3/5H	ZLTCF1-3/5H	
压缩机型号 Compressor model		CAJ9513Z	CAJ4517Z	CAJ4519Z	TAJ4519Z	
出风方式 Type		Side blow	Side blow	Side blow	Side blow	
适用温度 Temperature(°C)		- 15°C - + 5°C				
制冷剂 Refrigerant		R404A				
电源 Power supply		220V/1PH/50Hz				
冷凝器 Condenser	风机直径 Fan Qty *Dia (mm)	1x350	1x350	1x350	1x350	
	风量 Air Flow(m³/h)	1x3000	1x3000	1x3000	1x3000	
	功率 Power of Fan(W)	1*138	1*138	1*138	1*138	
	电源 Fan voltage	220V/1PH/50Hz				
	换热量 capacity (KW)	2.5	3.4	3.4	3.4	
压缩机参数 Compressor Capacity	Evaporating Tempe 0°C	冷量 Cooling capacity(W)	2489	2757	3619	3545
		功率 Input(KW)	1.2	1.4	1.8	1.8
	Evaporating Tempe -5°C	冷量 Cooling capacity(W)	1	2263	2966	2922
		功率 Input(KW)	0.9	1.15	1.55	1.5
	Evaporating Tempe -10°C	冷量 Cooling capacity(W)	1600	1830	2386	2366
		功率 Input(KW)	0.83	0.95	1.3	1.26
	Evaporating Tempe -15°C	冷量 Cooling capacity(W)	1233	1448	1866	1864
		功率 Input(KW)	0.67	0.8	1	1
接口 Pipe	回气管 Suction inlet(mm)	5/8 "	5/8 "	5/8 "	5/8 "	
	排气管 Liquid Dia (mm)	5/16 "	3/8 "	3/8 "	3/8 "	
外形尺寸 Overall Dimension L*W*H (mm)		600x500x460	520x500x460	520x500x460	520x500x460	

注：冷凝温度=50°C，过冷度=0K，Condensing temperature 50°C，subcooling 0K

泰康压缩机系列技术参数

Tecumseh Compressor Units Series Technical parameter

中高背压 H/MBP

型号 Model		ZLTCF02H	ZLTCF02H	ZLTCF2-3/5H	ZLTCF3-2/7H	
压缩机型号 Compressor model		FH4524Z	TFH4524Z	TFH4531Z	TFH4540Z	
出风方式 Type		Side blow	Side blow	Side blow	Side blow	
适用温度 Temperature(°C)		- 15°C - + 5°C				
制冷剂 Refrigerant		R404A				
电源 Power supply		220V/1PH/50Hz				
冷凝器 Condenser	风机直径 Fan Qty *Dia (mm)	1x350	1x350	1x400	2x350	
	风量 Air Flow(m³/h)	1x3100	1x3100	1x3900	2x3100	
	功率 Power of Fan(W)	1*145	1*145	1*190	2*145	
	电源 Fan voltage	380/3PH/50Hz				
	换热量 capacity (KW)	4.5	4.5	5.4	8.4	
压缩机参数 Compressor Capacity	Evaporating Tempe 0°C	冷量 Cooling capacity(W)	5364	5378	6826	8715
		功率 Input(KW)	2.5	2.4	3.2	4.3
	Evaporating Tempe -5°C	冷量 Cooling capacity(W)	4338	4353	5574	7157
		功率 Input(KW)	2	2	2.6	3.6
	Evaporating Tempe -10°C	冷量 Cooling capacity(W)	3437	3443	4469	5784
		功率 Input(KW)	1.68	1.67	2.1	3
	Evaporating Tempe -15°C	冷量 Cooling capacity(W)	2644	2640	3491	4570
		功率 Input(KW)	1.3	1.3	1.7	2.4
接口 Pipe	回气管 Suction inlet(mm)	5/8 "	5/8 "	7/8 "	7/8 "	
	排气管 Liquid Dia (mm)	1/2 "	1/2 "	1/2 "	1/2 "	
外形尺寸 Overall Dimension L*W*H (mm)		600x600x510	600x600x510	620x600x560	860x600x460	

注：冷凝温度=50°C，过冷度=0K，Condensing temperature 50°C，subcooling 0K

型号 Model		ZLTCF3-4/5H	ZLTCF05H	ZLTCF5-5/7H	ZLTCF06H	
压缩机型号 Compressor model		TAG4546Z	TAG4561Z	TAG4568Z	TAG4573Z	
出风方式 Type		Side blow	Side blow	Side blow	Side blow	
适用温度 Temperature(°C)		- 15°C - + 5°C				
制冷剂 Refrigerant		R404A				
电源 Power supply		380V/3PH/50Hz				
冷凝器 Condenser	风机直径 Fan Qty *Dia (mm)	2x350	2x400	2x400	2x400	
	风量 Air Flow(m³/h)	2x3100	2x3900	2x3900	2x3900	
	功率 Power of Fan(W)	2*145	2*190	2*190	2*190	
	电源 Fan voltage	380/3PH/50Hz				
	换热量 capacity (KW)	9.9	12.9	14.4	16.2	
压缩机参数 Compressor Capacity	Evaporating Tempe 0°C	冷量 Cooling capacity(W)	10267	12793	14705	15837
		功率 Input(KW)	4.5	6	6.2	7.2
	Evaporating Tempe -5°C	冷量 Cooling capacity(W)	8125	10261	11931	12861
		功率 Input(KW)	3.6	4.8	5.1	6
	Evaporating Tempe -10°C	冷量 Cooling capacity(W)	6287	8083	9519	10288
		功率 Input(KW)	2.9	3.9	4.2	4.8
	Evaporating Tempe -15°C	冷量 Cooling capacity(W)	4721	6210	7425	8071
		功率 Input(KW)	2.3	3	3.3	3.9
接口 Pipe	回气管 Suction inlet(mm)	7/8 "	1 1/8 "	1 1/8 "	1 1/8 "	
	排气管 Liquid Dia (mm)	5/8 "	5/8 "	5/8 "	5/8 "	
外形尺寸 Overall Dimension L*W*H (mm)		930x680x520	1030x800x720	1280x720x670	1280x720x770	

注：冷凝温度=50°C，过冷度=0K，Condensing temperature 50°C，subcooling 0K



产品特点

Products characteristics

- 机组采用美优乐全封闭活塞压缩机，适用于中高温工况。
- 适用温度范围广，质量可靠，运行稳定。
- 结构合理，管路布置合理，压缩机更耐恶劣运行条件。
- 采用国内知名品牌制冷配件。
- 更换冷冻油可配套使用多种类型制冷剂。

机组配置说明:

标准配置: 压缩机、冷凝器、储液器、过滤器、视镜、电磁阀、压力保护器、高低压油表、

选配件: 气液分离器、油分离器。

Adopting Maneurop hermetic piston compressor, Suit to L/M/H temperature working conditions.

- Wide range of temperature, reliable quality, stable operation.
- Reasonable structure and pipeline layout, compressor more resistant to bad operating conditions.
- Adopting famous brand and high quality refrigeration accessories.
- A variety of refrigerants can be used to replace the oil.

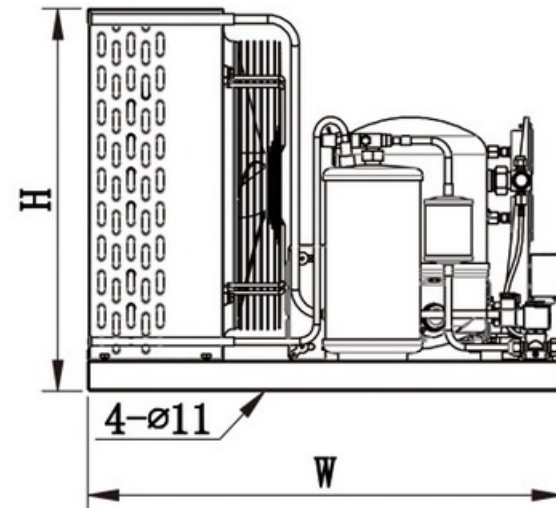
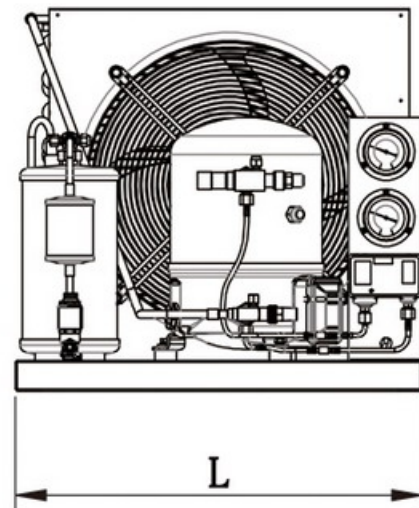
Configuration:

Standard: Compressor, condenser, liquid receiver, filter drier, sight glass, solenoid valve, pressure controller, high and low pressure oil gauge.

Selection accessories: Suction accumulator, oil separator.

外形结构安装示意图

Diagrams for Overall sizes



美优乐压缩机组系列技术参数

Maneurop Compressor Units Series Technical parameter

型号 Model	ZLUCF1.5M	ZLUCF2.3M	ZLUCF2.6M	ZLUCF03M	ZLUCF3.3M		
压缩机型号 Compressor model	MTZ18	MTZ28	MTZ32	MTZ36	MTZ40		
出风方式 Type	Side blow	Side blow	Side blow	Side blow	Side blow		
适用温度 Temperature(°C)	-30°C - +10°C						
制冷剂 Refrigerant	R404A						
电源 Power supply	380V/3PH/50Hz						
冷凝器 Condenser	风机直径 Fan Qty *Dia (mm)	1×350	1×400	2×350	2×350	2×350	
	风量 Air Flow(m³/h)	1×3110	1×3900	2×3110	2×3110	2×3110	
	功率 Power of Fan(W)	1*145	1*190	2*145	2*145	2*145	
	电源 Fan voltage	380V/3PH/50Hz					
	换热量 capacity (KW)	3.9	7.2	7.5	7.5	8.4	
压缩机参数 Compressor Capacity	Evaporating Tempe 0°C	冷量 Cooling capacity(W)	3196	5548	6328	7274	8154
		功率 Input(KW)	1.55	2.5	2.85	3.3	3.7
	Evaporating Tempe -10°C	冷量 Cooling capacity(W)	1940	3490	4056	4756	5431
		功率 Input(KW)	1.35	2.2	2.45	2.9	3.25
	Evaporating Tempe -15°C	冷量 Cooling capacity(W)	1450	2664	3147	3735	4318
		功率 Input(KW)	1.25	1.95	2.25	2.6	3
	Evaporating Tempe -20°C	冷量 Cooling capacity(W)	1042	1955	2370	2852	3345
		功率 Input(KW)	1.1	1.7	2	2.3	2.66
接口 Pipe	回气管 Suction inlet(mm)	1/2 "	5/8 "	5/8 "	5/8 "	5/8 "	
	排气管 Liquid Dia (mm)	3/8 "	3/8 "	3/8 "	1/2 "	1/2 "	
外形尺寸 Overall Dimension L*W*H (mm)	650x650x470	620x620x560	930x600x460	930x600x460	920x620x460		

注: 冷凝温度=50°C, 过冷度=0K, Condensing temperature 50°C, subcooling 0K

型号 Model	ZLUCF4.2M	ZLUCF5.3M	ZLUCF6.7M	ZLUCF8.3M	ZLUCF10.4M	ZLUCF13.3M		
压缩机型号 Compressor model	MTZ50	MTZ64	MTZ80	MTZ100	MTZ125	MTZ160		
出风方式 Type	Side blow	Side blow	Side blow	Side blow	Side blow	Side blow		
适用温度 Temperature(°C)	-30°C - +10°C							
制冷剂 Refrigerant	R404A							
电源 Power supply	380V/3PH/50Hz							
冷凝器 Condenser	风机直径 Fan Qty *Dia (mm)	2×400	2×400	2×400	4×350	4×400	4×400	
	风量 Air Flow(m³/h)	2×3900	2×3900	2×3900	4×3110	4×3900	4×3900	
	功率 Power of Fan(W)	2*190	2*190	2*190	4*145	4*190	4*190	
	电源 Fan voltage	380V/3PH/50Hz						
	换热量 capacity (KW)	11.4	13.5	18.3	21	28.8	39	
压缩机参数 Compressor Capacity	Evaporating Tempe 0°C	冷量 Cooling capacity(W)	10040	12850	16190	19370	24820	31360
		功率 Input(KW)	4.1	5.4	7	8.3	10.55	13.75
	Evaporating Tempe -10°C	冷量 Cooling capacity(W)	6371	8129	10660	12500	16000	20680
		功率 Input(KW)	3.6	4.6	6	7.35	9.2	11.75
	Evaporating Tempe -15°C	冷量 Cooling capacity(W)	4930	6290	8437	9745	12520	16400
		功率 Input(KW)	3.3	4.1	5.4	6.77	8.5	10.75
	Evaporating Tempe -20°C	冷量 Cooling capacity(W)	3718	4746	6530	7370	9592	12720
		功率 Input(KW)	3	3.7	5	6.1	7.7	9.75
接口 Pipe	回气管 Suction inlet(mm)	7/8 "	7/8 "	1/1/8"	1/1/8"	1/1/8"	1/1/8"	
	排气管 Liquid Dia (mm)	1/2 "	1/2 "	1/2 "	5/8 "	5/8 "	5/8 "	
外形尺寸 Overall Dimension L*W*H (mm)	1030x700x610	1030x700x710	1280x720x760	1280x780x860	1280x850x1160	1300x800x1410		

注: 冷凝温度=50°C, 过冷度=0K, Condensing temperature 50°C, subcooling 0K



产品特点

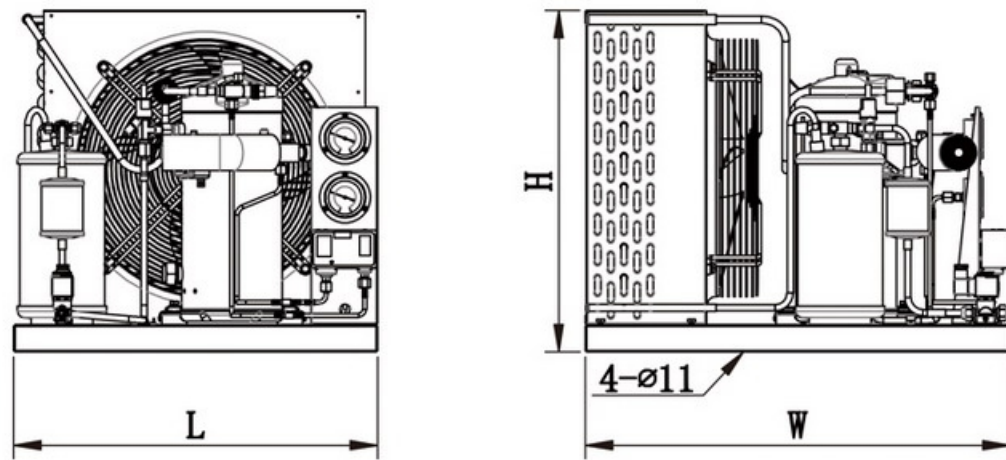
Products characteristics

- 可维护性更强：外壳可拆卸，主要部件沿轴线安装；
 - 能效更高：高效涡旋，经济器循环；
 - 柔性涡旋可靠性更高：超过一亿台的柔性涡旋应用，对液体和杂质更高容忍度；
 - 更加智能化：Coresense™ 诊断模块应用，快速准确的压缩机 监控和诊断；
 - 运行范围更广：整合的喷气增焓技术，R22应用中无需缸头风 扇可达-40℃蒸发温度；
 - 适用的制冷剂更多：可适用于新型制冷剂。
- High maintainability,the case is removable,main parts installed by axis.
 - More efficient:efficient vortex,economizer recycle.
 - Flexible vortex is more reliable. more than one hundred million pieces of flexible vortex application, high tolerance of liquid and impurities.
 - More intelligentize, the application of coresense diagonse part makes controls and diagnose compressors more quick.
 - Larger the operation range, Integration of the jet increase enthalpy technolog. Application with R22 can reach -40℃ evaporating temperature without cylinder head fan.
 - Suitable for more refrigerant, it is suitable for new refrigerant gas.

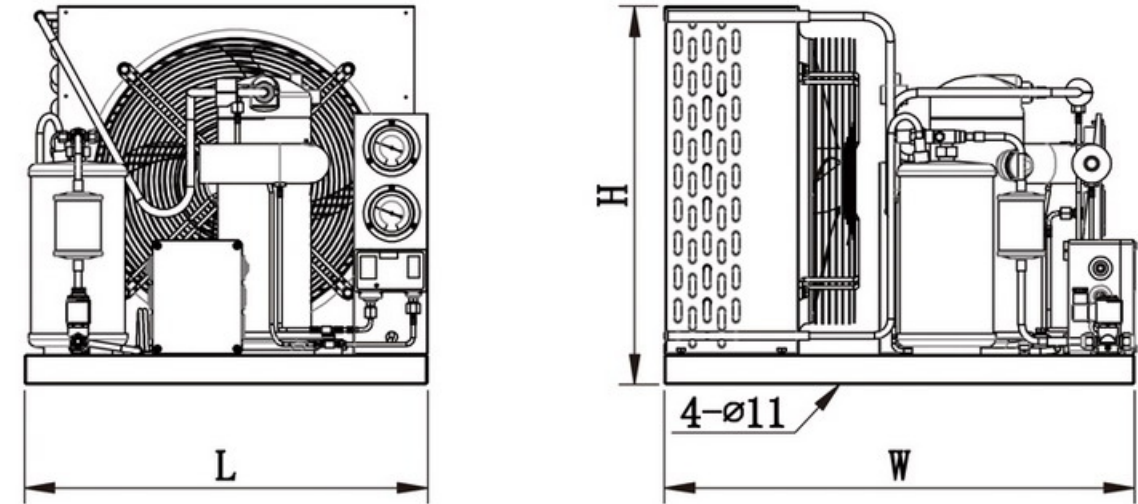
外形结构安装示意图

Diagrams for Overall sizes

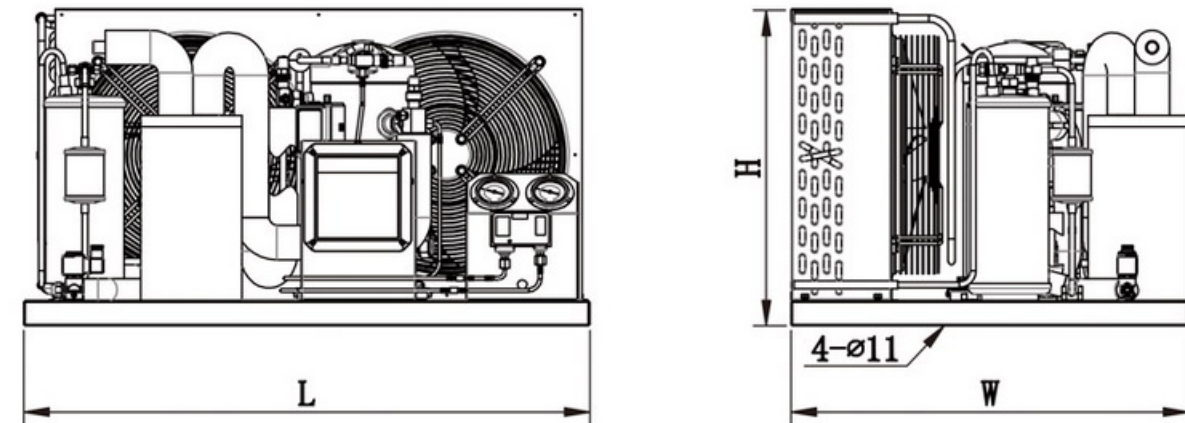
谷轮压缩机敞式ZB压缩机组-ZB Model



谷轮敞式ZSI压缩机组-ZSI Model



谷轮压缩机敞式ZFI压缩机组-ZFI Model



谷轮ZB敞式压缩机系列技术参数

Copeland ZB Compressor Units Technical parameter

型号 Model		ZLCCF02H	ZLCLCF03H	ZLCLF04H	ZLCCF05H	
压缩机型号 Compressor model		ZB15KQE	ZB21KQE	ZB29KQE	ZB38KQE	
出风方式 Type		Side blow	Side blow	Side blow	Side blow	
适用温度 Temperature(°C)		-20°C - +5°C				
制冷剂 Refrigerant		R404A				
电源 Power supply		380V/3PH/50Hz				
冷凝器 Condenser	风机直径 Fan Qty *Dia (mm)	1×400	2×350	2×400	2×400	
	风量 Air Flow(m³/h)	1×3900	1×3000	2×3900	2×3900	
	功率 Power of Fan(W)	1*180	1*138	2*180	2*180	
	电源 Fan voltage	220V/1PH/50Hz				
	换热量 capacity (KW)	5.4	8.4	12.9	14.4	
压缩机参数 Compressor Capacity	Evaporating Tempe -5°C	冷量 Cooling capacity(W)	3600	5500	7450	9400
		功率 Input(KW)	2.25	3	4.1	5.1
	Evaporating Tempe -10°C	冷量 Cooling capacity(W)	2950	4550	6200	7800
		功率 Input(KW)	2.35	3	4.1	5.1
	Evaporating Tempe -15°C	冷量 Cooling capacity(W)	2400	3750	5100	6450
		功率 Input(KW)	2.4	3.1	4.12	5.1
	Evaporating Tempe -20°C	冷量 Cooling capacity(W)	1850	3100	4150	5250
		功率 Input(KW)	2.5	3.1	4.2	5.1
接口 Pipe	回气管 Suction inlet(mm)	3/4 "	3/4 "	7/8 "	7/8 "	
	排气管 Liquid Dia (mm)	3/8 "	1/2 "	1/2 "	1/2 "	
外形尺寸 Overall Dimension L*W*H (mm)		700×620×570	930×700×470	1030×700×720	1280×720×670	

注: 冷凝温度=50°C, 过冷度=0K, Condensing temperature 50°C, subcooling 0K

型号 Model		ZLCCF06H	ZLCCF07H	ZLCCF08H	ZLCCF10H	ZLCCF15H	
压缩机型号 Compressor model		ZB45KQE	ZB48KQE	ZB58KQE	ZB76KQE	ZB114KQE	
出风方式 Type		Side blow	Side blow	Side blow	Side blow	Side blow	
适用温度 Temperature(°C)		-20°C - +5°C					
制冷剂 Refrigerant		R404A					
电源 Power supply		380V/3PH/50Hz					
冷凝器 Condenser	风机直径 Fan Qty *Dia (mm)	2×400	2×400	2×400	2×400	4×400	
	风量 Air Flow(m³/h)	2×3900	2×3900	2×3900	2×3900	4×3900	
	功率 Power of Fan(W)	2*180	2*180	2*190	2*190	4*190	
	电源 Fan voltage	220V/1PH/50Hz		380V/3PH/50Hz			
	换热量 capacity (KW)	16.5	21	21	24	39	
压缩机参数 Compressor Capacity	Evaporating Tempe -5°C	冷量 Cooling capacity(W)	11000	12050	14600	16350	28200
		功率 Input(KW)	5.7	6.2	7.6	8.4	14.15
	Evaporating Tempe -10°C	冷量 Cooling capacity(W)	9150	10050	12000	13650	23000
		功率 Input(KW)	5.7	6.2	7.6	8.7	14.15
	Evaporating Tempe -15°C	冷量 Cooling capacity(W)	7550	8300	9650	11250	18250
		功率 Input(KW)	5.7	6.3	7.62	8.7	14.2
	Evaporating Tempe -20°C	冷量 Cooling capacity(W)	6150	6750	7400	9100	
		功率 Input(KW)	5.7	6.3	7.7	8.7	
接口 Pipe	回气管 Suction inlet(mm)	7/8 "	7/8 "	1-1/8 "	1-1/8 "	1-5/8 "	
	排气管 Liquid Dia (mm)	1/2 "	1/2 "	5/8 "	5/8 "	7/8 "	
外形尺寸 Overall Dimension L*W*H (mm)		1280×720×770	1260×750×870	1260×750×870	1270×850×970	1270×850×1420	

注: 冷凝温度=50°C, 过冷度=0K, Condensing temperature 50°C, subcooling 0K

谷轮ZSI敞式压缩机系列技术参数

Copeland ZSI Compressor Units Technical parameter

型号 Model		ZLCCF02M	ZLCCF03M	ZLCCF04M	
压缩机型号 Compressor model		ZSI06KQE	ZSI09KQE	ZSI14KQE	
出风方式 Type		Side blow	Side blow	Side blow	
适用温度 Temperature(°C)		-30°C - 0°C			
制冷剂 Refrigerant		R404A			
电源 Power supply		380V/3PH/50Hz			
冷凝器 Condenser	风机直径 Fan Qty *Dia (mm)	1×400	2×350	2×400	
	风量 Air Flow(m³/h)	1×3900	1×3000	2×3900	
	功率 Power of Fan(W)	1*180	1*138	2*180	
	电源 Fan voltage	220V/1PH/50Hz			
	换热量 capacity (KW)	5.4	8.4	12.9	
压缩机参数 Compressor Capacity	Evaporating Tempe -5°C	冷量 Cooling capacity(W)	3860	5120	8460
		功率 Input(KW)	2.3	2.8	4.22
	Evaporating Tempe -10°C	冷量 Cooling capacity(W)	3190	4270	7030
		功率 Input(KW)	2.2	2.78	8.3
	Evaporating Tempe -15°C	冷量 Cooling capacity(W)	2110	2890	4740
		功率 Input(KW)	2.65	2.75	3.9
	Evaporating Tempe -20°C	冷量 Cooling capacity(W)	1340	1800	3070
		功率 Input(KW)	2	2.75	3.7
接口 Pipe	回气管 Suction inlet(mm)	3/4 "	3/4 "	7/8 "	
	排气管 Liquid Dia (mm)	3/8 "	1/2 "	1/2 "	
外形尺寸 Overall Dimension L*W*H (mm)		700×620×570	930×700×470	1030×700×720	

注: 冷凝温度=50°C, 过冷度=0K, Condensing temperature 50°C, subcooling 0K

型号 Model		ZLCCF05M	ZLCCF06M	ZLCCF07M	
压缩机型号 Compressor model		ZSI15KQE	ZSI18KQE	ZSI21KQE	
出风方式 Type		Side blow	Side blow	Side blow	
适用温度 Temperature(°C)		-30°C - 0°C			
制冷剂 Refrigerant		R404A			
电源 Power supply		380V/3PH/50Hz			
冷凝器 Condenser	风机直径 Fan Qty *Dia (mm)	2×400	2×400	2×400	
	风量 Air Flow(m³/h)	2×3900	2×3900	2×3900	
	功率 Power of Fan(W)	2*180	2*180	2*180	
	电源 Fan voltage	380V/3PH/50HZ			
	换热量 capacity (KW)	14.4	16.5	21	
压缩机参数 Compressor Capacity	Evaporating Tempe -5°C	冷量 Cooling capacity(W)	9490	10390	12880
		功率 Input(KW)	4.73	5.68	6.25
	Evaporating Tempe -10°C	冷量 Cooling capacity(W)	7940	9640	10800
		功率 Input(KW)	4.6	5.57	6
	Evaporating Tempe -15°C	冷量 Cooling capacity(W)	5530	6630	7400
		功率 Input(KW)	4.3	5.22	6
	Evaporating Tempe -20°C	冷量 Cooling capacity(W)	3550	4380	4910
		功率 Input(KW)	4	5	5.5
接口 Pipe	回气管 Suction inlet(mm)	7/8 "	7/8 "	7/8 "	
	排气管 Liquid Dia (mm)	1/2 "	1/2 "	1/2 "	
外形尺寸 Overall Dimension L*W*H (mm)		1280×720×670	1280×720×770	1260×750×870	

注: 冷凝温度=50°C, 过冷度=0K, Condensing temperature 50°C, subcooling 0K

谷轮ZF敞开式压缩机系列技术参数

Copeland ZF Compressor Units Technical parameter

型号 Model		ZLCCF02LA	ZLCCF03LA	ZLCCF04LA	ZLCCF05LA	
压缩机型号 Compressor model		ZF06KQE	ZF09KQE	ZF13KQE	ZF15KQE	
出风方式 Type		Side blow	Side blow	Side blow	Side blow	
适用温度 Temperature(°C)		- 40°C - 0°C				
制冷剂 Refrigerant		R404A				
电源 Power supply		380V/3PH/50Hz				
冷凝器 Condenser	风机直径 Fan Qty *Dia (mm)	1×450	1×450	2×400	2×400	
	风量 Air Flow(m³/h)	1×5100	1×5100	2×3900	2×3900	
	功率 Power of Fan(W)	1*250	1*250	2*180	2*180	
	电源 Fan voltage	220V/1PH/50Hz				
	换热量 capacity (KW)	6.3	9.1	11.1	13.6	
压缩机参数 Compressor Capacity	Evaporating Tempe -5°C	冷量 Cooling capacity(W)	3870	5270	7700	9410
		功率 Input(KW)	2.3	2.8	3.8	4.8
	Evaporating Tempe -15°C	冷量 Cooling capacity(W)	2710	3690	5350	6530
		功率 Input(KW)	2.2	2.6	3.5	4.4
	Evaporating Tempe -25°C	冷量 Cooling capacity(W)	1850	2520	3620	4440
		功率 Input(KW)	2.1	2.5	3.4	4.1
	Evaporating Tempe -35°C	冷量 Cooling capacity(W)	1220	1670	2400	2950
		功率 Input(KW)	2	2.4	3.2	3.8
接口 Pipe	回气管 Suction inlet(mm)	3/4 "	3/4 "	7/8 "	7/8 "	
	排气管 Liquid Dia (mm)	3/8 "	1/2 "	1/2 "	1/2 "	
外形尺寸 Overall Dimension L*W*H (mm)		700×620×570	930×700×470	1030×700×720	1280×720×670	

注: 冷凝温度=50°C, 过冷度=0K, Condensing temperature 50°C, subcooling 0K

型号 Model		ZLCCF06LA	ZLCCF07LA	ZLCCF10LA	ZLCCF15LA	
压缩机型号 Compressor model		ZF18KQE	ZF25KQE	ZF34KQE	ZF49KQE	
出风方式 Type		Side blow	Side blow	Side blow	Side blow	
适用温度 Temperature(°C)		- 40°C - 0°C				
制冷剂 Refrigerant		R404A				
电源 Power supply		380V/3PH/50Hz				
冷凝器 Condenser	风机直径 Fan Qty *Dia (mm)	2×400	2×400	1×630	2×550	
	风量 Air Flow(m³/h)	2×3900	2×3900	1×13000	2×8500	
	功率 Power of Fan(W)	2*180	2*180	860	2*650	
	电源 Fan voltage	220V/1PH/50Hz		380V/3PH/50Hz		
	换热量 capacity (KW)	16.2	17.8	30.6	45.8	
压缩机参数 Compressor Capacity	Evaporating Tempe -5°C	冷量 Cooling capacity(W)	11250	13820	18580	23270
		功率 Input(KW)	5.1	7.2	9	11.27
	Evaporating Tempe -15°C	冷量 Cooling capacity(W)	7830	9960	13010	16410
		功率 Input(KW)	4.9	5.8	8.3	10.37
	Evaporating Tempe -25°C	冷量 Cooling capacity(W)	5370	6790	8900	11270
		功率 Input(KW)	4.7	5.4	7.6	9.5
	Evaporating Tempe -35°C	冷量 Cooling capacity(W)	3570	4450	5790	7360
		功率 Input(KW)	4.4	4.67	6.8	8.6
接口 Pipe	回气管 Suction inlet(mm)	7/8 "	7/8 "	1-3/8 "	1-3/8 "	
	排气管 Liquid Dia (mm)	1/2 "	1/2 "	5/8 "	7/8 "	
外形尺寸 Overall Dimension L*W*H (mm)		1280×720×770	1260×750×870	1270×850×970	1270×850×1420	

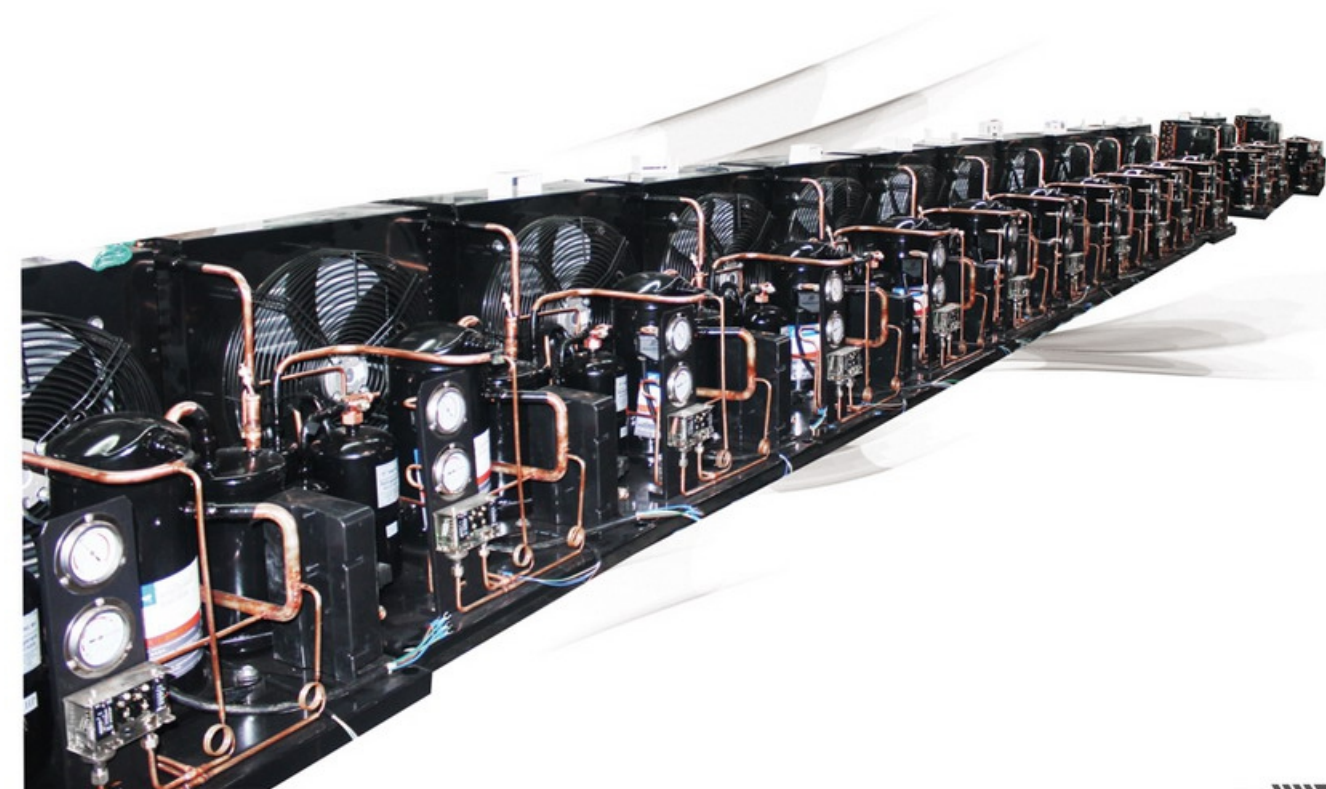
注: 冷凝温度=50°C, 过冷度=0K, Condensing temperature 50°C, subcooling 0K

谷轮ZFI敞开式压缩机系列技术参数

Copeland ZFI Compressor Units Technical parameter

型号 Model		ZLCCF04LB	ZLCCF06LB	ZLCCF08LB	ZLCCF10LB	ZLCCF15LB
压缩机型号 Compressor model		ZFI20KQE	ZFI26KQE	ZFI36KQE	ZFI50KQE	ZFI68KQE
出风方式 Type		Side blow	Side blow	Side blow	Side blow	Side blow
适用温度 Temperature(°C)		- 40°C - - 5°C				
制冷剂 Refrigerant		R404A				
电源 Power supply		380V/3PH/50Hz				
冷凝器 Condenser	风机直径 Fan Qty *Dia (mm)	2×400	2×400	2×400	2×400	4×400
	风量 Air Flow(m³/h)	2×3900	2×3900	2×3900	2×3900	4×3900
	功率 Power of Fan(W)	2*180	2*180	2*180	2*180	4*190
	电源 Fan voltage	220V/1PH/50Hz		380V/3PH/50Hz		
	换热量 capacity (KW)	11.1	16.2	24.1	30.6	45.8
压缩机参数 Compressor Capacity	Evaporating Tempe -10°C	冷量 Cooling capacity(W)	9730	13700	16540	22910
		功率 Input(KW)	4.26	6.36	8.2	10.86
	Evaporating Tempe -20°C	冷量 Cooling capacity(W)	6800	9840	12260	16790
		功率 Input(KW)	4.11	6.1	7.6	10
	Evaporating Tempe -30°C	冷量 Cooling capacity(W)	4590	7030	8820	11680
		功率 Input(KW)	3.98	5.6	6.8	9.36
	Evaporating Tempe -40°C	冷量 Cooling capacity(W)	2920	5080	6240	8040
		功率 Input(KW)	3.9	5.1	5.7	8.1
接口 Pipe	回气管 Suction inlet(mm)	7/8 "	7/8 "	7/8 "	1-3/8 "	1-3/8 "
	排气管 Liquid Dia (mm)	1/2 "	1/2 "	1/2 "	5/8 "	7/8 "
外形尺寸 Overall Dimension L*W*H (mm)		1030×700×720	1280×720×770	1260×750×870	1270×850×970	1270×850×1420

注: 冷凝温度=50°C, 过冷度=0K, Condensing temperature 50°C, subcooling 0K





产品特点

Products characteristics

- 采用恩布拉科全封闭活塞压缩机。
- 应用范围广泛，有中高温、低温不同工况。
- 结构紧凑，小巧灵活，外形美观，质量稳定可靠。
- 采用国内知名品牌制冷配件。

机组配置说明

标准配置：压缩机、冷凝器、风机、储液器、过滤器。
 选配件：油分离器、压力控制器、高低压表、气液分离器、视液镜。

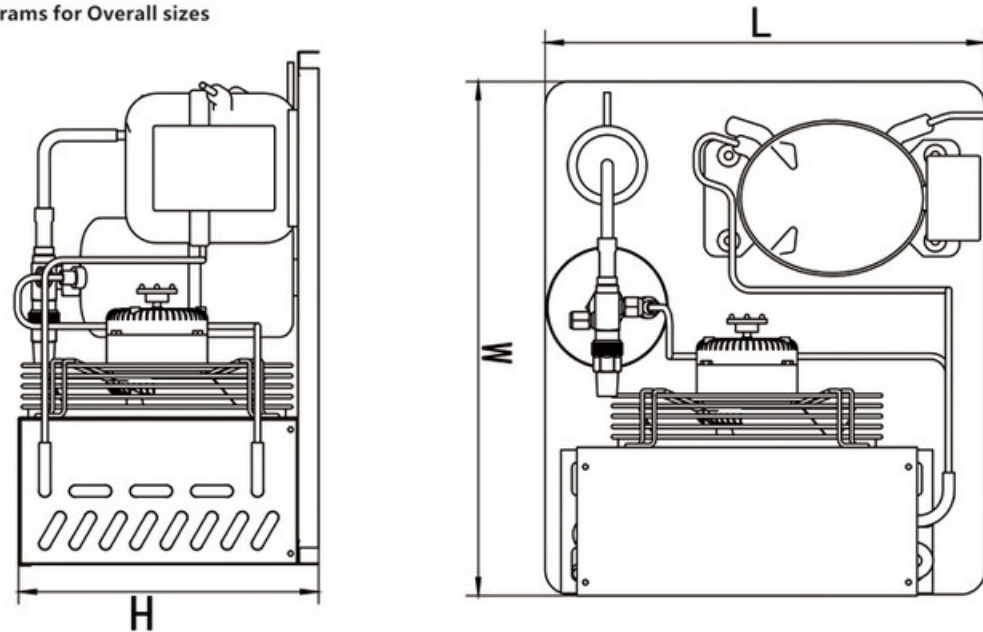
- Adopting Embraco hermetic piston compressor
- Wide applications, adapt L/M/H BP different working conditions.
- Compact structure, small and flexible, beautiful appearance, stable and reliable quality.
- Adopting famous brand and high quality refrigeration accessories.

Configuration

Standard configuration: Compressor, condenser, fan motor, liquid receiver, filter drier.
 Selection accessories: Oil separator, pressure controller, H/L P oil gauge, suction accumulator, sight glass.

外形尺寸示意图

Diagrams for Overall sizes



恩布拉科敞开式压缩机组系列技术参数

Embraco Compressor Units Technical parameter

R134A低背压LBP220V-50

型号 Model	ZLECF1/3L	ZLECF1/3L	ZLECF3/8L	ZLECF7/16L	ZLECF1/5L		
压缩机型号 Compressor model	FF17.5HAK	FF8.5HBK	FF110HAK	FF112HBK	EMT45HLR		
出风方式 Type	Side blow	Side blow	Side blow	Side blow	Side blow		
适用温度 Temperature(°C)	-40°C - -5°C						
制冷剂 Refrigerant	R134A						
电源 Power supply	220V/1PH/50Hz						
冷凝器 Condenser	风机直径 Fan Qty *Dia (mm)	1×200	1×200	1×200	1×200		
	风量 Air Flow(m³/h)	1×450	1×450	1×450	1×450		
	功率 Power of Fan(W)	1*29	1*29	1*29	1*29		
	电源 Fan voltage	220V/1PH/50Hz					
压缩机参数 Compressor Capacity	Evaporating Tempe -15°C	冷量 Cooling capacity(W)	301	307	400	497	171
		功率 Input(KW)	0.26	0.26	0.32	0.2	0.16
	Evaporating Tempe -25°C	冷量 Cooling capacity(W)	165	158	207	264	130
		功率 Input(KW)	0.15	0.14	0.18	0.21	0.12
	Evaporating Tempe -30°C	冷量 Cooling capacity(W)	109	108	141	193	95
		功率 Input(KW)	0.11	0.1	0.13	0.18	0.1
	Evaporating Tempe -35°C	冷量 Cooling capacity(W)	84	87	113	160	63
		功率 Input(KW)	0.09	0.08	0.12	0.15	0.07
接口 Pipe	回气管 Suction inlet(mm)	1/4 "	1/4 "	5/16 "	5/16 "	1/4 "	
	排气管 Liquid Dia (mm)	3/16 "	3/16 "	1/4 "	1/4 "	3/16 "	
外形尺寸 Overall Dimension L*W*H (mm)	420x360x250	420x360x250	420x360x250	420x360x250	420x360x250		

注：冷凝温度=50°C，过冷度=0K，Condensing temperature 50°C，subcooling 0K

R134A低背压LBP220V-50

型号 Model	ZLECF1/4L	ZLECF1/4L	ZLECF1/3L	ZLECF3/8L	ZLECF1/2L		
压缩机型号 Compressor model	EMT55HLR	EMT65HLR	EGAS100HLR	EGU130HLR	FFU160HAX		
出风方式 Type	Side blow	Side Blow	Side Blow	Side Blow	Side Blow		
适用温度 Temperature(°C)	-40°C - -5°C						
制冷剂 Refrigerant	R404A						
电源 Power supply	220V/1PH/50Hz						
冷凝器 Condenser	风机直径 Fan Qty *Dia (mm)	1×200	1×200	1×200	1×200	1x250	
	风量 Air Flow(m³/h)	1×450	1×450	1×450	1×450	1x1000	
	功率 Power of Fan(W)	1*29	1*29	1*29	1*29	1*50	
	电源 Fan voltage	220V/1PH/50Hz					
压缩机参数 Compressor Capacity	Evaporating Tempe -15°C	冷量 Cooling capacity(W)	186	273	384	585	497
		功率 Input(KW)	0.17	0.23	0.3	0.43	0.46
	Evaporating Tempe -25°C	冷量 Cooling capacity(W)	143	163	226	356	286
		功率 Input(KW)	0.13	0.15	0.19	0.27	0.28
	Evaporating Tempe -30°C	冷量 Cooling capacity(W)	105	121	163	267	210
		功率 Input(KW)	0.1	0.17	0.15	0.21	0.2
	Evaporating Tempe -35°C	冷量 Cooling capacity(W)	70	85	108	188	152
		功率 Input(KW)	0.08	0.09	0.11	0.17	0.17
接口 Pipe	回气管 Suction inlet(mm)	1/4 "	1/4 "	1/4 "	1/4 "	5/16 "	
	排气管 Liquid Dia (mm)	3/16 "	3/16 "	3/16 "	3/16 "	1/4 "	
外形尺寸 Overall Dimension L*W*H (mm)	420x360x250	420x360x250	420x360x250	420x360x250	460x400x300		

注：冷凝温度=50°C，过冷度=0K，Condensing temperature 50°C，subcooling 0K

恩布拉科敞开式压缩机组系列技术参数

Embraco Compressor Units Technical parameter

R404A低背压LBP220V-60HZ

型号 Model		ZLECF0.5L	ZLECF9/16L	ZLECF3/4L	
压缩机型号 Compressor model		NEK2134GK	NEK2150GK	NT2180GK	
出风方式 Type		Side blow	Side blow	Side blow	
适用温度 Temperature(°C)		- 40°C - - 5°C			
制冷剂 Refrigerant		R404A			
电源 Power supply		220V/1PH/60Hz			
冷凝器 Condenser	风机直径 Fan Qty *Dia (mm)	1x250	1x250	1x300	
	风量 Air Flow(m³/h)	1x1150	1x1150	1x2100	
	功率 Power of Fan(W)	1*65	1*65	1*150	
	电源 Fan voltage	220V/1PH/60Hz			
	换热量 capacity (KW)	1.3	1.3	1.6	
压缩机参数 Compressor Capacity	Evaporating Tempe -20°C	冷量 Cooling capacity(W)	688	862	1355
		功率 Input(KW)	0.58	0.8	1.2
	Evaporating Tempe -25°C	冷量 Cooling capacity(W)	540	685	1050
		功率 Input(KW)	0.47	0.65	0.93
	Evaporating Tempe -30°C	冷量 Cooling capacity(W)	423	536	781
		功率 Input(KW)	0.38	0.52	0.73
	Evaporating Tempe -40°C	冷量 Cooling capacity(W)	251	336	339
		功率 Input(KW)	0.25	0.35	0.4
接口 Pipe	回气管 Suction inlet(mm)	5/16 "	1/4 "	3/8 "	
	排气管 Liquid Dia (mm)	3/16 "	3/16 "	1/4 "	
外形尺寸 Overall Dimension L*W*H (mm)		460×400×300	460×400×300	460×460×350	

注: 冷凝温度=50°C, 过冷度=0K, Condensing temperature 50°C, subcooling 0K

R404A低背压LBP220V-60HZ

型号 Model		ZLECF01L	ZLECF1.5L	ZLECF1.5L	
压缩机型号 Compressor model		NT2192GK	NJ2212GK	NJ2212GS	
出风方式 Type		Side blow	Side blow	Side blow	
适用温度 Temperature(°C)		- 40°C - - 5°C			
制冷剂 Refrigerant		R404A			
电源 Power supply		220V/1PH/60Hz	380V/3PH/60HZ		
冷凝器 Condenser	风机直径 Fan Qty *Dia (mm)	1x350	1x350	1x350	
	风量 Air Flow(m³/h)	1x3000	1x3000	1x3000	
	功率 Power of Fan(W)	1*190	1*190	1*185	
	电源 Fan voltage	220V/1PH/60Hz	380V/3PH/60HZ		
	换热量 capacity (KW)	2.5	3.5	3.5	
压缩机参数 Compressor Capacity	Evaporating Tempe -20°C	冷量 Cooling capacity(W)	1468	2086	1783
		功率 Input(KW)	1.2	1.58	1.55
	Evaporating Tempe -25°C	冷量 Cooling capacity(W)	1146	1576	1348
		功率 Input(KW)	1	1.2	1.22
	Evaporating Tempe -30°C	冷量 Cooling capacity(W)	866	1124	961
		功率 Input(KW)	0.8	0.94	0.92
	Evaporating Tempe -40°C	冷量 Cooling capacity(W)	436	377	289
		功率 Input(KW)	0.5	0.44	0.4
接口 Pipe	回气管 Suction inlet(mm)	3/8 "	3/8 "	3/8 "	
	排气管 Liquid Dia (mm)	5/16 "	5/16 "	5/16 "	
外形尺寸 Overall Dimension L*W*H (mm)		520×500×450	520X500×460	520X500×460	

注: 冷凝温度=50°C, 过冷度=0K, Condensing temperature 50°C, subcooling 0K

恩布拉科敞开式压缩机组系列技术参数

Embraco Compressor Units Technical parameter

R404A中高背压H/MBP220V-50HZ

型号 Model		ZLECF0.4H	ZLECF0.4H	ZLECF0.4H	
压缩机型号 Compressor model		NEK6210GK	NEK6213GK	NEK6217GK	
出风方式 Type		Side blow	Side blow	Side blow	
适用温度 Temperature(°C)		- 20°C - + 10°C			
制冷剂 Refrigerant		R404A			
电源 Power supply		220V/1PH/50Hz			
冷凝器 Condenser	风机直径 Fan Qty *Dia (mm)	1×200	1x250	1x250	
	风量 Air Flow(m³/h)	1×450	1x1000	1x1000	
	功率 Power of Fan(W)	1*29	1*50	1*50	
	电源 Fan voltage	220V/1PH/50Hz			
	换热量 capacity (KW)	1	1.3	1.3	
压缩机参数 Compressor Capacity	Evaporating Tempe -5°C	冷量 Cooling capacity(W)	988	1333	1590
		功率 Input(KW)	0.53	0.8	0.84
	Evaporating Tempe -10°C	冷量 Cooling capacity(W)	815	1093	1310
		功率 Input(KW)	0.43	0.66	0.7
	Evaporating Tempe -15°C	冷量 Cooling capacity(W)	674	884	1075
		功率 Input(KW)	0.36	0.5	0.58
	Evaporating Tempe -20°C	冷量 Cooling capacity(W)	566	695	882
		功率 Input(KW)	0.3	0.44	0.5
接口 Pipe	回气管 Suction inlet(mm)	5/16 "	5/16 "	3/8 "	
	排气管 Liquid Dia (mm)	1/4 "	1/4 "	1/4 "	
外形尺寸 Overall Dimension L*W*H (mm)		420x360x250	460×400×300	460×400×300	

注: 冷凝温度=50°C, 过冷度=0K, Condensing temperature 50°C, subcooling 0K

R404A中高背压H/MBP220V-50HZ

型号 Model		ZLECF0.75H	ZLECF1.5H	ZLECF02H	
压缩机型号 Compressor model		NT6226GK	NTU6238GKV	NJ9238GK	
出风方式 Type		Side blow	Side blow	Side blow	
适用温度 Temperature(°C)		- 20°C - + 10°C			
制冷剂 Refrigerant		R404A			
电源 Power supply		220V/1PH/50Hz			
冷凝器 Condenser	风机直径 Fan Qty *Dia (mm)	1x300	1x350	1x350	
	风量 Air Flow(m³/h)	1x1900	1x3000	1x3000	
	功率 Power of Fan(W)	1*90	1*138	1*138	
	电源 Fan voltage	220V/1PH/50Hz			
	换热量 capacity (KW)	1.6	3.5	4.5	
压缩机参数 Compressor Capacity	Evaporating Tempe -5°C	冷量 Cooling capacity(W)	2082	2264	3377
		功率 Input(KW)	1	1.15	1.58
	Evaporating Tempe -10°C	冷量 Cooling capacity(W)	1701	1850	2736
		功率 Input(KW)	0.88	0.96	1.3
	Evaporating Tempe -15°C	冷量 Cooling capacity(W)	1377	1503	2151
		功率 Input(KW)	0.73	0.8	1
	Evaporating Tempe -20°C	冷量 Cooling capacity(W)	1111	1233	1616
		功率 Input(KW)	0.6	0.7	0.8
接口 Pipe	回气管 Suction inlet(mm)	1/2 "	1/2 "	1/2 "	
	排气管 Liquid Dia (mm)	3/8 "	3/8 "	5/16 "	
外形尺寸 Overall Dimension L*W*H (mm)		460×460×350	520X500×460	600×600×510	

注: 冷凝温度=50°C, 过冷度=0K, Condensing temperature 50°C, subcooling 0K

恩布拉科敞开式压缩机组系列技术参数

Embraco Compressor Units Technical parameter

R134A中高背压H/MBP220V-60HZ

型号 Model		ZLECF1/7H	ZLECF1/6H	ZLECF3/8H	ZLECF1/2H	ZLECF3/4H	
压缩机型号 Compressor model		EM30HHR	EM65HHR	NE6187Z	NEK6212Z	NT6220Z	
出风方式 Type		Side blow	Side blow	Side blow	Side blow	Side blow	
适用温度 Temperature(°C)		-20°C - +5°C					
制冷剂 Refrigerant		R134A					
电源 Power supply		220V/1PH/60Hz					
冷凝器 Condenser	风机直径 Fan Qty *Dia (mm)	1×200	1×200	1×200	1×250	1×300	
	风量 Air Flow(m³/h)	1×560	1×560	1×560	1×1150	1×1900	
	功率 Power of Fan(W)	1*39	1*39	1*39	1*65	1*115	
	电源 Fan voltage	220V/1PH/60Hz					
	换热量 capacity (KW)	0.3	0.6	1	1.3	1.8	
压缩机参数 Compressor Capacity	Evaporating Tempe -5°C	冷量 Cooling capacity(W)	251	388	564	1060	1916
		功率 Input(KW)	0.1	0.2	0.28	0.6	1
	Evaporating Tempe -10°C	冷量 Cooling capacity(W)	198	303	430	850	1478
		功率 Input(KW)	0.1	0.15	0.22	0.48	0.9
	Evaporating Tempe -15°C	冷量 Cooling capacity(W)	154	229	315	655	1125
		功率 Input(KW)	0.08	0.12	0.16	0.38	0.75
	Evaporating Tempe -20°C	冷量 Cooling capacity(W)	117	166	180	450	
		功率 Input(KW)	0.078	0.09	0.1	0.28	
接口 Pipe	回气管 Suction inlet(mm)	1/4 "	1/4 "	3/8 "	3/8 "	3/8 "	
	排气管 Liquid Dia (mm)	3/16 "	3/16 "	1/4 "	1/4 "	1/4 "	
外形尺寸 Overall Dimension L*W*H (mm)		420x360x250	420x360x250	420x360x250	460×400×300	460×460×350	

注：冷凝温度=50°C，过冷度=0K，Condensing temperature 50°C，subcooling 0K

R134A低背压H/LBP220V-60HZ

型号 Model		ZLECF1/3L	ZLECF3/8L	ZLECF7/16L	ZLECF1/3L	
压缩机型号 Compressor model		FF17.5HAK	FFI10HAK	FFI12HBK	EGAS100HLR	
出风方式 Type		Side blow	Side blow	Side blow	Side blow	
适用温度 Temperature(°C)		-40°C - -5°C				
制冷剂 Refrigerant		R134A				
电源 Power supply		220V/1PH/60Hz				
冷凝器 Condenser	风机直径 Fan Qty *Dia (mm)	1×200	1×200	1×200	1×200	
	风量 Air Flow(m³/h)	1×560	1×560	1×560	1×560	
	功率 Power of Fan(W)	1*39	1*39	1*39	1*39	
	电源 Fan voltage	220V/1PH/60Hz				
	换热量 capacity (KW)	1	1	1	1	
压缩机参数 Compressor Capacity	Evaporating Tempe -15°C	冷量 Cooling capacity(W)	362	473	556	472
		功率 Input(KW)	0.18	0.36	0.7	0.3
	Evaporating Tempe -25°C	冷量 Cooling capacity(W)	193	253	294	262
		功率 Input(KW)	0.11	0.2	0.27	0.19
	Evaporating Tempe -30°C	冷量 Cooling capacity(W)	130	157	195	170
		功率 Input(KW)	0.085	0.14	0.19	0.13
	Evaporating Tempe -35°C	冷量 Cooling capacity(W)	111	123	165	141
		功率 Input(KW)	0.77	0.11	0.16	0.11
接口 Pipe	回气管 Suction inlet(mm)	1/4 "	5/16 "	5/16 "	1/4 "	
	排气管 Liquid Dia (mm)	3/16 "	1/4 "	1/4 "	3/16 "	
外形尺寸 Overall Dimension L*W*H (mm)		420x360x250	420x360x250	420x360x250	420x360x250	

注：冷凝温度=50°C，过冷度=0K，Condensing temperature 50°C，subcooling 0K

恩布拉科敞开式压缩机组系列技术参数

Embraco Compressor Units Technical parameter

R404A低背压LBP220V/380-50HZ

型号 Model		ZLECF1/3L	ZLECF1/2L	ZLECF9/16L	ZLECF3/4L	ZLECF3/4L	
压缩机型号 Compressor model		NEK2125GK	NEK2134GK	NEK2150GK	NEK2168GK	NEK2172GK	
出风方式 Type		Side blow	Side blow	Side blow	Side blow	Side blow	
适用温度 Temperature(°C)		-40°C - -5°C					
制冷剂 Refrigerant		R404A					
电源 Power supply		220V/1PH/50Hz					
冷凝器 Condenser	风机直径 Fan Qty *Dia (mm)	1×200	1×250	1×250	1×300	1×300	
	风量 Air Flow(m³/h)	1×450	1×1000	1×1000	1×1900	1×1900	
	功率 Power of Fan(W)	1*29	1*50	1*50	1*90	1*90	
	电源 Fan voltage	220V/1PH/50Hz					
	换热量 capacity (KW)	1	1.3	1.3	1.6	1.6	
压缩机参数 Compressor Capacity	Evaporating Tempe -20°C	冷量 Cooling capacity(W)	420	579	763	860	872
		功率 Input(KW)	0.38	0.5	0.66	0.8	0.88
	Evaporating Tempe -25°C	冷量 Cooling capacity(W)	334	463	628	687	688
		功率 Input(KW)	0.3	0.4	0.55	0.67	0.68
	Evaporating Tempe -30°C	冷量 Cooling capacity(W)	262	353	473	535	531
		功率 Input(KW)	0.24	0.3	0.42	0.55	0.56
	Evaporating Tempe -40°C	冷量 Cooling capacity(W)	156	203	286	304	300
		功率 Input(KW)	0.15	0.2	0.27	0.35	0.34
接口 Pipe	回气管 Suction inlet(mm)	5/16 "	5/16 "	1/4 "	1/4 "	1/4 "	
	排气管 Liquid Dia (mm)	3/16 "	3/16 "	3/16 "	3/16 "	3/16 "	
外形尺寸 Overall Dimension L*W*H (mm)		420x360x250	460×400×300	460×400×300	460×460×350	460×460×350	

注：冷凝温度=50°C，过冷度=0K，Condensing temperature 50°C，subcooling 0K

R404A低背压LBP220V/380-50HZ

型号 Model		ZLECF5/8L	ZLECF0.5L	ZLECF3/4L	ZLECF3/4L	ZLECF3/4L	
压缩机型号 Compressor model		T2155GK	NEU2140GK	NEU2155GK	NEU2168GK	NEU2178GK	
出风方式 Type		Side blow	Side blow	Side blow	Side blow	Side blow	
适用温度 Temperature(°C)		-40°C - -5°C					
制冷剂 Refrigerant		R404A					
电源 Power supply		220V/1PH/50Hz					
冷凝器 Condenser	风机直径 Fan Qty *Dia (mm)	1x300	1x250	1x300	1x300	1x300	
	风量 Air Flow(m³/h)	1x1900	1x1000	1x1900	1x1900	1x1900	
	功率 Power of Fan(W)	1*90	1*50	1*90	1*90	1*90	
	电源 Fan voltage	220V/1PH/50Hz					
	换热量 capacity (KW)	1.6	1.3	1.6	1.6	1.6	
压缩机参数 Compressor Capacity	Evaporating Tempe -20°C	冷量 Cooling capacity(W)	789	571	767	869	1052
		功率 Input(KW)	0.7	0.5	0.68	0.75	0.84
	Evaporating Tempe -25°C	冷量 Cooling capacity(W)	583	448	601	684	832
		功率 Input(KW)	0.54	0.37	0.55	0.61	0.68
	Evaporating Tempe -30°C	冷量 Cooling capacity(W)	420	343	461	524	644
		功率 Input(KW)	0.41	0.3	0.44	0.5	0.55
	Evaporating Tempe -40°C	冷量 Cooling capacity(W)	220	188	252	284	360
		功率 Input(KW)	0.26	0.2	0.28	0.3	0.35
接口 Pipe	回气管 Suction inlet(mm)	1/4 "	5/16 "	5/16 "	5/16 "	3/8 "	
	排气管 Liquid Dia (mm)	3/16 "	1/4 "	1/4 "	1/4 "	1/4 "	
外形尺寸 Overall Dimension L*W*H (mm)		460×460×350	460×400×300	460×460×350	460×460×350	460×460×350	

注：冷凝温度=50°C，过冷度=0K，Condensing temperature 50°C，subcooling 0K

恩布拉科敞开式压缩机组系列技术参数
Embraco Compressor Units Technical parameter

R404A低背压LBP220V/380-50HZ

型号 Model		ZLECF3/4L	ZLECF01L	ZLECF01L	ZLECF1.5L	ZLECF1.5L	
压缩机型号 Compressor model		NT2180GK	NT2192GK	NJ2192GK	NJ2212GK	NJ2212GS	
出风方式 Type		Side blow	Side blow	Side blow	Side blow	Side blow	
适用温度 Temperature(°C)		-40°C - -5°C					
制冷剂 Refrigerant		R404A					
电源 Power supply		220V/1PH/50Hz				380V/3PH/50Hz	
冷凝器 Condenser	风机直径 Fan Qty *Dia (mm)	1x300	1x350	1x350	1x350	1x350	
	风量 Air Flow(m³/h)	1x1900	1x3000	1x3000	1x3000	1x3100	
	功率 Power of Fan(W)	1*90	1*138	1*138	1*138	1*148	
	电源 Fan voltage	220V/1PH/50Hz				380V/3PH/50Hz	
	换热量 capacity (KW)	1.6	2.5	2.5	3.5	3.6	
压缩机参数 Compressor Capacity	Evaporating Tempe -20°C	冷量 Cooling capacity(W)	1194	1328	1503	1957	1957
		功率 Input(KW)	1	1.15	1.3	1.6	1.67
	Evaporating Tempe -25°C	冷量 Cooling capacity(W)	936	1040	1172	1486	1486
		功率 Input(KW)	0.83	0.9	1	1.2	1.3
	Evaporating Tempe -30°C	冷量 Cooling capacity(W)	715	796	880	1085	1085
		功率 Input(KW)	0.66	0.75	0.81	0.94	1
	Evaporating Tempe -40°C	冷量 Cooling capacity(W)	380	436	418	491	491
		功率 Input(KW)	0.4	0.47	0.45	0.5	0.6
接口 Pipe	回气管 Suction inlet(mm)	3/8 "	3/8 "	3/8 "	3/8 "	3/8 "	
	排气管 Liquid Dia (mm)	1/4 "	5/16 "	5/16 "	5/16 "	5/16 "	
外形尺寸 Overall Dimension L*W*H (mm)		460x460x350	520x500x450	520x500x450	520x500x460	520x500x460	

注：冷凝温度=50°C，过冷度=0K，Condensing temperature 50°C，subcooling 0K

R134A中高背压H/MBP220V-50Hz

型号 Model		ZLECF1/7H	ZLECF1/6H	ZLECF1/3H	ZLECF3/8H	
压缩机型号 Compressor model		EM30HHR	EM65HHR	NE6170Z	NE6187Z	
出风方式 Type		Side blow	Side blow	Side blow	Side blow	
适用温度 Temperature(°C)		-20°C - +5°C				
制冷剂 Refrigerant		R134A				
电源 Power supply		220V/1PH/50Hz				
冷凝器 Condenser	风机直径 Fan Qty *Dia (mm)	1x200	1x200	1x200	1x200	
	风量 Air Flow(m³/h)	1x450	1x450	1x450	1x450	
	功率 Power of Fan(W)	1*29	1*29	1*29	1*29	
	电源 Fan voltage	220V/1PH/50Hz				
	换热量 capacity (KW)	0.3	0.6	1	1	
压缩机参数 Compressor Capacity	Evaporating Tempe -5°C	冷量 Cooling capacity(W)	240	406	532	747
		功率 Input(KW)	0.12	0.2	0.3	0.4
	Evaporating Tempe -10°C	冷量 Cooling capacity(W)	189	359	411	586
		功率 Input(KW)	0.1	0.17	0.24	0.3
	Evaporating Tempe -15°C	冷量 Cooling capacity(W)	135	335	314	454
		功率 Input(KW)	0.083	0.16	0.2	0.24
	Evaporating Tempe -20°C	冷量 Cooling capacity(W)	98	332	211	350
		功率 Input(KW)	0.078	0.16	0.1	0.2
接口 Pipe	回气管 Suction inlet(mm)	1/4 "	1/4 "	3/8 "	3/8 "	
	排气管 Liquid Dia (mm)	3/16 "	3/16 "	1/4 "	1/4 "	
外形尺寸 Overall Dimension L*W*H (mm)		420x360x250	420x360x250	420x360x250	420x360x250	

注：冷凝温度=50°C，过冷度=0K，Condensing temperature 50°C，subcooling 0K

恩布拉科敞开式压缩机组系列技术参数
Embraco Compressor Units Technical parameter

R134A中高背压H/MBP220V-50Hz

型号 Model		ZLECF1/3H	ZLECF1/2H	ZLECF1/2H	ZLECF1/2H	
压缩机型号 Compressor model		NEU6210Z	NEU6212Z	NEK6212Z	NEU6214Z	
出风方式 Type		Side blow	Side blow	Side blow	Side blow	
适用温度 Temperature(°C)		-20°C - +5°C				
制冷剂 Refrigerant		R134A				
电源 Power supply		220V/1PH/50Hz				
冷凝器 Condenser	风机直径 Fan Qty *Dia (mm)	1x200	1x250	1x250	1x250	
	风量 Air Flow(m³/h)	1x450	1x1000	1x1000	1x1000	
	功率 Power of Fan(W)	1*29	1*50	1*50	1*50	
	电源 Fan voltage	220V/1PH/50Hz				
	换热量 capacity (KW)	1	1.3	1.3	1.3	
压缩机参数 Compressor Capacity	Evaporating Tempe -5°C	冷量 Cooling capacity(W)	738	855	885	999
		功率 Input(KW)	0.34	0.42	0.46	0.52
	Evaporating Tempe -10°C	冷量 Cooling capacity(W)	582	673	705	794
		功率 Input(KW)	0.27	0.34	0.37	0.43
	Evaporating Tempe -15°C	冷量 Cooling capacity(W)	456	523	558	622
		功率 Input(KW)	0.21	0.27	0.3	0.35
	Evaporating Tempe -20°C	冷量 Cooling capacity(W)	358	403	400	483
		功率 Input(KW)	0.17	0.22	0.2	0.28
接口 Pipe	回气管 Suction inlet(mm)	3/8 "	3/8 "	3/8 "	3/8 "	
	排气管 Liquid Dia (mm)	1/4 "	1/4 "	1/4 "	1/4 "	
外形尺寸 Overall Dimension L*W*H (mm)		420x360x250	460x400x300	460x400x300	460x400x300	

注：冷凝温度=50°C，过冷度=0K，Condensing temperature 50°C，subcooling 0K

R134A中高背压H/MBP220V-50Hz

型号 Model		ZLECF1/2H	ZLECF3/4H	ZLECF3/4H	ZLECF01H	
压缩机型号 Compressor model		NEK6214Z	NT6220Z	NJ6220Z	NJ6226Z	
出风方式 Type		Side Blow	Side Blow	Side Blow	Side Blow	
适用温度 Temperature(°C)		-20°C - +5°C				
制冷剂 Refrigerant		R134A				
电源 Power supply		220V/1PH/50Hz				
冷凝器 Condenser	风机直径 Fan Qty *Dia (mm)	1x250	1x300	1x300	1x350	
	风量 Air Flow(m³/h)	1x1000	1x1900	1x1900	1x3000	
	功率 Power of Fan(W)	1*50	1*90	1*90	1*138	
	电源 Fan voltage	220V/1PH/50Hz				
	换热量 capacity (KW)	1.3	1.6	1.6	2.5	
压缩机参数 Compressor Capacity	Evaporating Tempe -5°C	冷量 Cooling capacity(W)	904	1218	1482	1775
		功率 Input(KW)	0.52	0.6	0.66	0.84
	Evaporating Tempe -10°C	冷量 Cooling capacity(W)	745	989	1111	1360
		功率 Input(KW)	0.44	0.5	0.51	0.68
	Evaporating Tempe -15°C	冷量 Cooling capacity(W)	628	818	783	992
		功率 Input(KW)	0.32	0.43	0.39	0.53
	Evaporating Tempe -20°C	冷量 Cooling capacity(W)	480	706	496	628
		功率 Input(KW)	0.27	0.38	0.28	0.38
接口 Pipe	回气管 Suction inlet(mm)	3/8 "	3/8 "	3/8 "	3/8 "	
	排气管 Liquid Dia (mm)	1/4 "	1/4 "	5/16 "	5/16 "	
外形尺寸 Overall Dimension L*W*H (mm)		460x400x300	460x460x350	460x460x350	520x500x450	

注：冷凝温度=50°C，过冷度=0K，Condensing temperature 50°C，subcooling 0K



产品特点

Products characteristics

- 采用麦迪直流DC压缩机，12v/24v供客户自由选择
- 应用范围广泛，有中高温、低温不同工况
- 外形小巧精美，风机采用直流DC电机，噪音小，风量大
- 采用国内知名品牌制冷配件

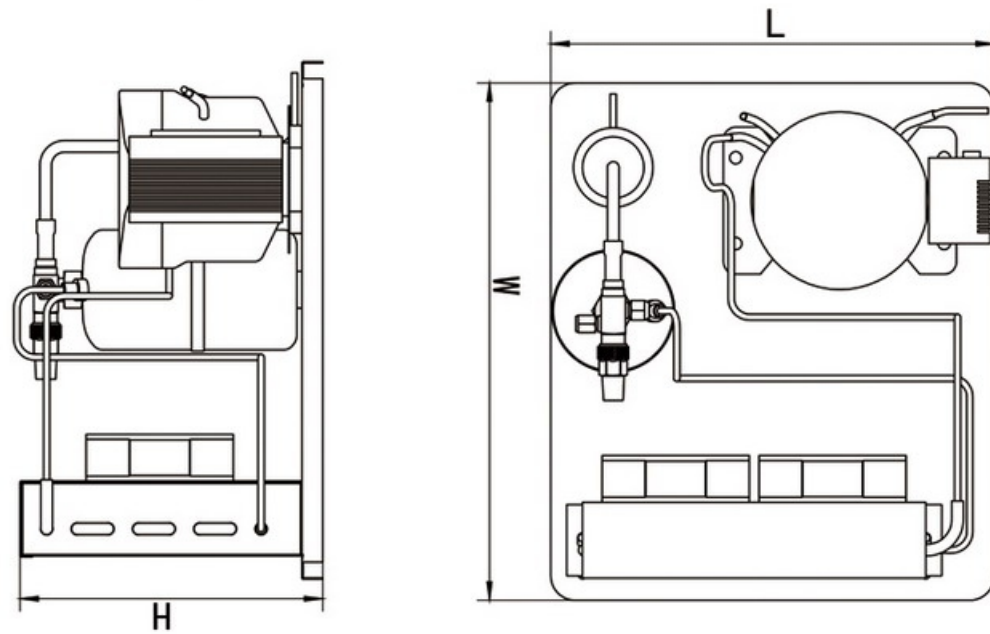
机组配置说明：
标准配置：压缩机、冷凝器、风机、储液器、过滤器、

- Adopting DC compressor, 12v/24v can be chose.
- It widely use in different working conditions of M/H/L temperature.
- Small and exquisite appearance, DC fan motor motor, low noise, large air volume.
- Adopting famous brand and high quality refrigeration accessories

Configuration :
Standard: Compressor, condenser, fan motor, liquid receiver, filter drier.

外形尺寸示意图

Diagrams for Overall sizes



直流电12/24V敞开机组

DC12/24V Open Type Condensing Units

型号 Model		ZLMCF1/12L	ZLMCF1/12L	ZLMCF1/11L	ZLMCF1/6L	
压缩机型号 Compressor model		ODZH25G-L	ODZH30G-L	ODZH35G-L	ODZH43G-L	
出风方式 Type		Side blow	Side blow	Side blow	Side blow	
适用温度 Temperature(°C)		-35°C - -10°C				
制冷剂 Refrigerant		R134A				
电源 Power supply		12V/24V				
冷凝器 Condenser	风机直径 Fan Qty *Dia (mm)	2×120	2×120	2×120	2×120	
	风量 Air Flow(m³/h)	2×195	2×195	2×195	2×195	
	功率 Power of Fan(W)	2*7.5	2*7.5	2*7.5	2*7.5	
	电源 Fan voltage	12V/24v				
	换热量 capacity (KW)	0.3	0.3	0.3	0.6	
压缩机参数 Compressor Capacity	Evaporating Tempe -23°C	冷量 Cooling capacity(W)	72	87	100	138
		功率 Input(KW))	0.08	0.1	0.1	0.12
接口 Pipe	回气管 Suction inlet(mm)	1/4 "	1/4 "	1/4 "	1/4 "	
	排气管 Liquid Dia (mm)	3/16 "	3/16 "	3/16 "	3/16 "	
外形尺寸 Overall Dimension L*W*H (mm)		420x360x250	420x360x250	420x360x250	420x360x250	

注：冷凝温度=50°C，过冷度=0K，Condensing temperature 50°C，subcooling 0K

型号 Model		ZLMCF1/6L	ZLMCF1/4L	ZLMCF1/4L	ZLMCF1/3L	
压缩机型号 Compressor model		ODZH50G-MK	ODZH65G-MK	QDZH75G-MIK	QDZH91G-MIK	
出风方式 Type		Side blow	Side blow	Side blow	Side blow	
适用温度 Temperature(°C)		-35°C - -10°C				
制冷剂 Refrigerant		R134A				
电源 Power supply		12V/24V				
冷凝器 Condenser	风机直径 Fan Qty *Dia (mm)	2×120	2×120	2×120	2×120	
	风量 Air Flow(m³/h)	2×195	2×195	2×195	2×195	
	功率 Power of Fan(W)	2*7.5	2*7.9	2*7.5	2*7.5	
	电源 Fan voltage	12V/24v				
	换热量 capacity (KW)	0.6	0.6	1	1	
压缩机参数 Compressor Capacity	Evaporating Tempe -23°C	冷量 Cooling capacity(W)	163	210	256	315
		功率 Input(KW))	0.15	0.2	0.23	0.27
接口 Pipe	回气管 Suction inlet(mm)	1/4 "	1/4 "	1/4 "	1/4 "	
	排气管 Liquid Dia (mm)	3/16 "	3/16 "	3/16 "	3/16 "	
外形尺寸 Overall Dimension L*W*H (mm)		420x360x250	420x360x250	420x360x250	420x360x250	

注：冷凝温度=50°C，过冷度=0K，Condensing temperature 50°C，subcooling 0K